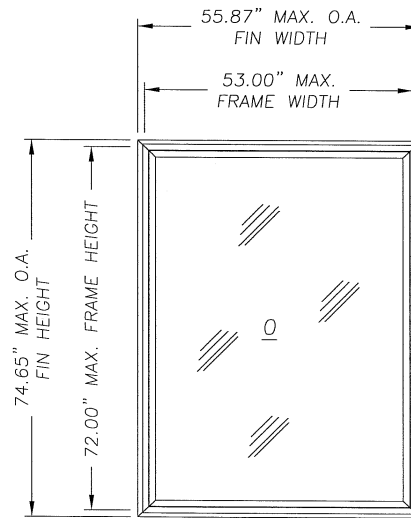


3104 SERIES PICTURE WINDOW HIGH PERFORMANCE "IMPACT" WINDOW

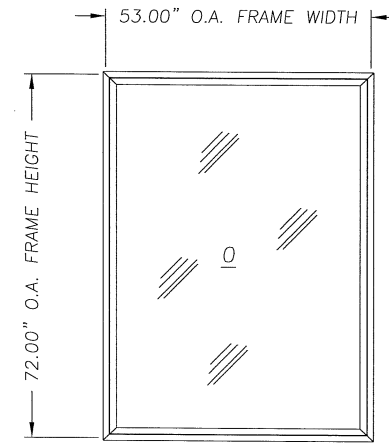
GENERAL NOTES

1. THIS PRODUCT HAS BEEN EVALUATED AND IS IN COMPLIANCE WITH THE FLORIDA BUILDING CODE EXCLUDING THE "HIGH VELOCITY HURRICANE ZONE" AND "WIND ZONE 4" AS DEFINED IN ASTM E1996-02.
2. PRODUCT ANCHORS SHALL BE AS LISTED AND SPACED AS SHOWN ON DETAILS. ANCHOR EMBEDMENT TO BASE MATERIAL SHALL BE BEYOND WALL DRESSING OR STUCCO.
3. WHEN USED IN WIND-BORNE DEBRIS REGIONS THIS PRODUCT COMPLIES WITH SECTION 1609.1.4 OF THE FLORIDA BUILDING CODE AS AN IMPACT RESISTANT PRODUCT AND DOES NOT REQUIRE THE USE OF AN EXTERNAL IMPACT RESISTANT COVERING. THIS PRODUCT DOES NOT MEET THE REQUIREMENTS FOR ENHANCED PROTECTION OF ESSENTIAL FACILITIES AS DEFINED IN ASTM E1996.
4. FOR 2X STUD FRAMING CONSTRUCTION, ANCHORING OF THESE UNITS SHALL BE THE SAME AS THAT SHOWN FOR 2X BUCK MASONRY CONSTRUCTION.
5. CONDITIONS NOT COVERED BY THIS DRAWING ARE SUBJECT TO FURTHER ENGINEERING ANALYSIS.

TABLE OF CONTENTS	
1	TYPICAL ELEVATIONS, DESIGN PRESSURES & GENERAL NOTES
2	VERTICAL & HORIZONTAL CROSS SECTIONS W/O FIN
3	VERTICAL & HORIZONTAL CROSS SECTIONS WITH FIN
4	BUCK & FRAME ANCHORING
5	BILL OF MATERIALS, COMPONENTS & GLAZING DETAIL



WITH FIN



W/O FIN

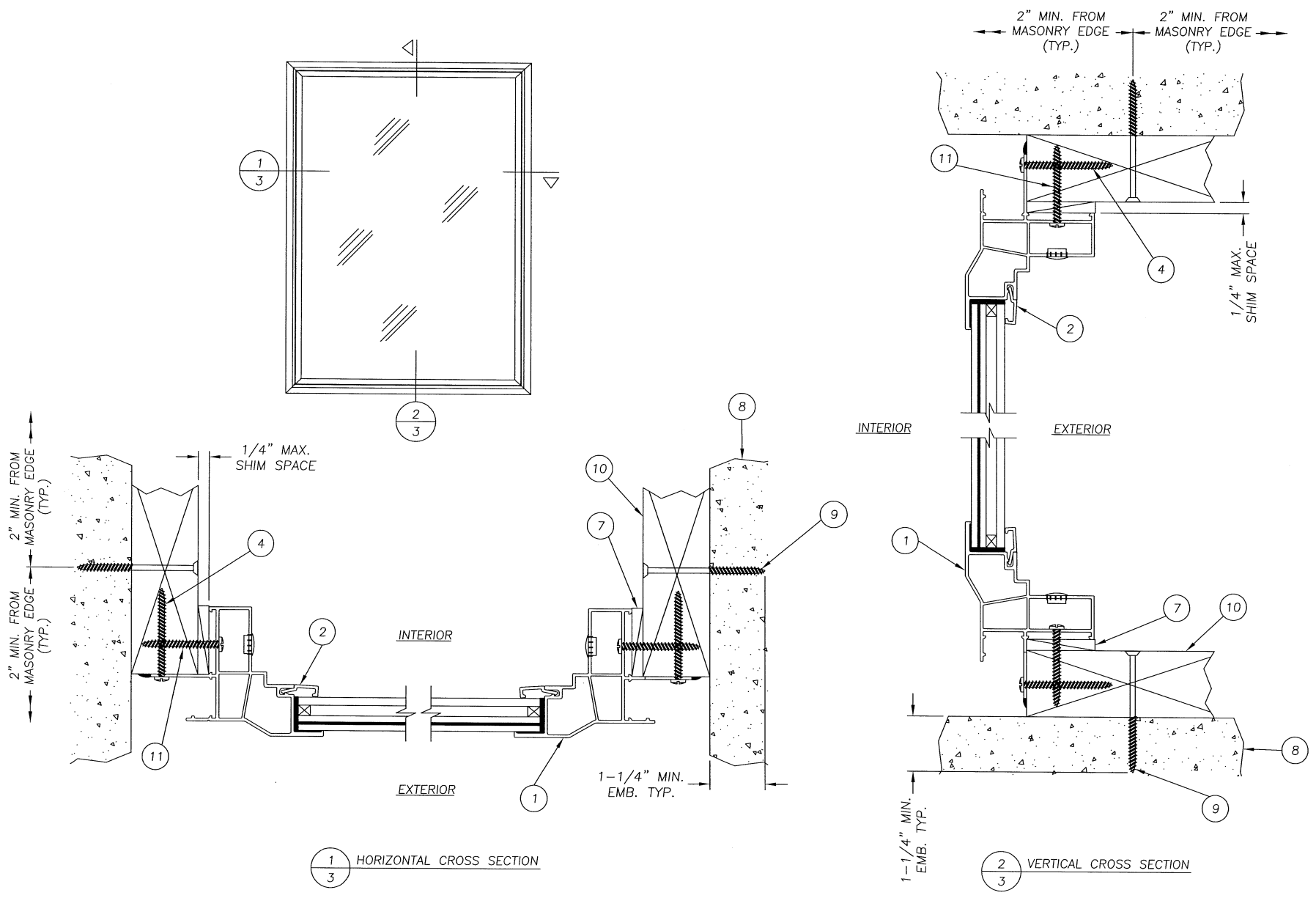
OVERALL FIN DIMENSION	OVERALL FRAME DIMENSION	OVERALL DAY LIGHT DIMENSION	3/4" INSULATED GLASS	DESIGN PRESSURE (PSF)	
				POSITIVE	NEGATIVE
55.87" X 74.65"	53.00" X 72.00"	48.75" X 68.00"	3/16" ANNEALED - AIR - 1/8" ANN. / 0.090" SOLUTIA / 1/8" ANN.	+50.0	-50.0

Documents Prepared By:
RW BUILDING CONSULTANTS, INC.
 P.O. Box 230 Vairico FL 33595
 Phone No.: 813.656.9197
 Florida Board of Professional Engineers
 Certificate Of Authorization No. 9813
Wendell W. Jolley 12-20-05
 Wendell W. Jolley, P.E./NO. 54156

PRODUCT: ALSIDE
 3104 SERIES PICTURE WINDOW
 H.P. "IMPACT" WINDOW
 PART OR ASSEMBLY:
 TYPICAL ELEVATIONS, DESIGN PRESSURES & GENERAL NOTES

NO.	DATE	BY	REVISIONS

DATE: 01/02/06
 SCALE: N.T.S.
 DWG. BY: EW
 CHK. BY: WWH
 DRAWING NO.: FL-769
 SHEET 1 of 5



1 HORIZONTAL CROSS SECTION

2 VERTICAL CROSS SECTION

Documents Prepared By:
RW BUILDING CONSULTANTS, INC.
 P.O. Box 230 Valrico FL, 33595
 Phone No.: 813.659.9197
 Florida Board of Professional Engineers
 Certificate Of Authorization No. 9813
Wendell W. Indsey 12-22-05
 Wendell W. Indsey, P.E. No. 94158

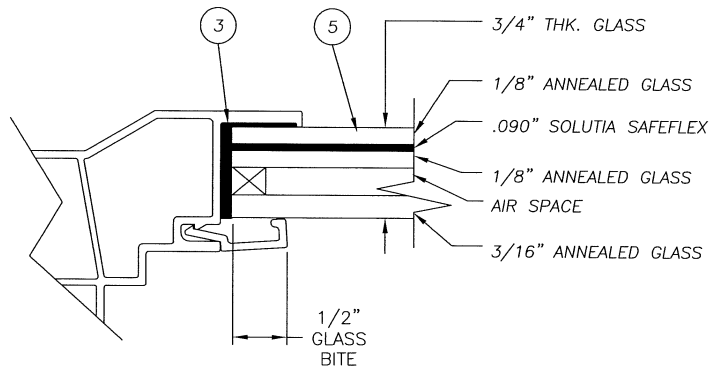
PRODUCT: ALSIDE SERIES PICTURE WINDOW
 H.P. "IMPACT" WINDOW
 PART OR ASSEMBLY: VERTICAL & HORIZONTAL CROSS SECTIONS WITH FIN

NO.	DATE	BY	REVISIONS

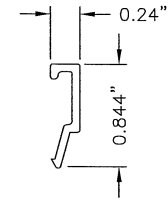
DATE: 01/02/06
 SCALE: N.T.S.
 DWG. BY: EW
 CHK. BY: WWH
 DRAWING NO.: FL-769
 SHEET 3 OF 5

Item	Description	Material
1	EXTRUDED VINYL MASTER FRAME BY VEKA INC. *	RIGID PVC
2	EXTRUDED VINYL 3/4" GLAZING BEAD BY VEKA INC. *	RIGID PVC
3	PURFECT GLAZE SEALANT 938 _a BY NATIONAL ADHESIVES	SEALANT
4	#10 x 2" PHP SCREW	STEEL
5	3/4" INSULATED LAMINATED GLASS (INTERLAYER SAFLEX BY SOLUTIA) 3/16" ANN. - AIR - 1/8" ANN. / .090" SOLUTIA SAFLEX / 1/8" ANN.	GLASS
6	SILICONE SEALANT (NOVAFLEX) BY NOVAGUARD	SEALANT
7	1/4" MAX. SHIM MATERIAL	WOOD
8	MASONRY	CONC.
9	3/16 X 2-3/4" TAPCON	STEEL
10	2X BUCK	WOOD
11	#10 X 1-3/4" PPH SCREW	STEEL

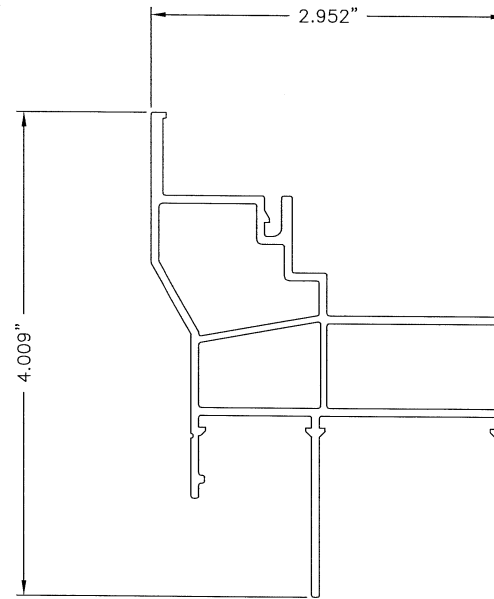
* THE APPROVED WHITE RIGID PVC EXTERIOR EXTRUSIONS FOR WINDOWS ARE TO BE PRODUCED BY EXTRUDERS LICENSEES IN "AAMA CERTIFICATION PROGRAMS FOR RIGID PVC EXTRUSIONS".



GLAZING DETAIL



2 GLAZING BEAD



1 PICTURE WINDOW FRAME

Documents Prepared By:
RW BUILDING CONSULTANTS, INC.
P.O. Box 230 Valrico FL, 33595
Phone No.: 813.659.9197
Florida Board of Professional Engineers
Certificate of Authorization No. 9813
Wendell W. Ridley, P.E. No. 1220-05
Wendell W. Ridley, P.E. No. 54158

PRODUCT: ALSIDE
3104 SERIES PICTURE WINDOW
H.P. "IMPACT" WINDOW
PART OR ASSEMBLY:
BILL OF MATERIALS,
COMPONENTS & GLAZING DETAIL

NO.	DATE	BY	REVISIONS

DATE: 01/02/06

SCALE: N.T.S.

DWG. BY: EW

CHK. BY: WWH

DRAWING NO.:

FL-769

SHEET 5 OF 5