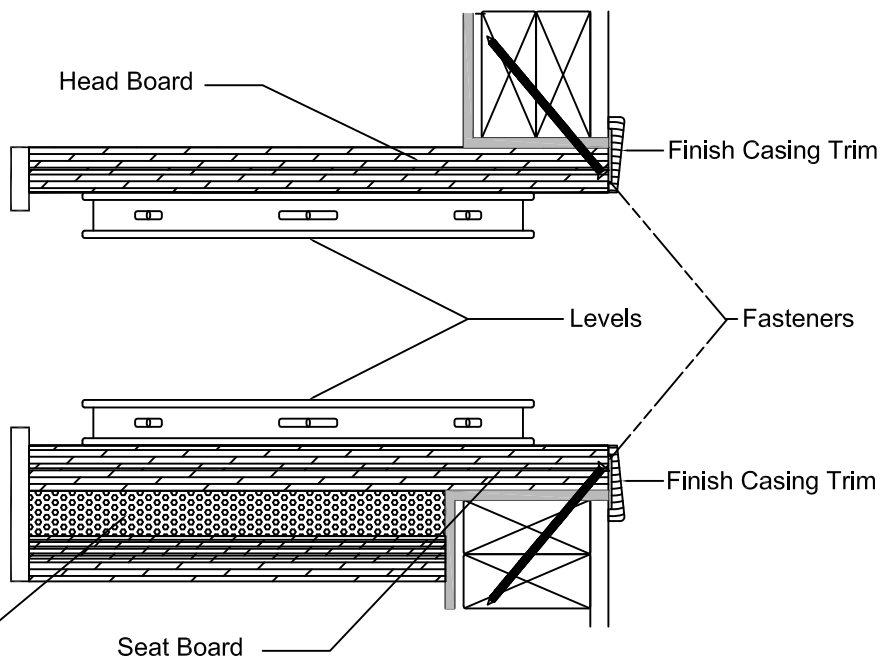


SUPPLEMENTAL INSTALLATION INSTRUCTIONS FOR LAMINATED INTERIOR WOODBUCK BAY/BOW

Head and Seat Board

NOTE: Side View Shown

Using a Level, set the seat board and head boards level and jambs plumb. Use shims if necessary. Then, keeping the seat board flush to the interior wall surface, pre-drill the holes and then anchor the seat board to the sill plate using #10 x 5" wood screws. Countersink the #10 x 5" wood screws at a 45° angle to the interior wall. *Repeat procedure for securing the head board to the header.

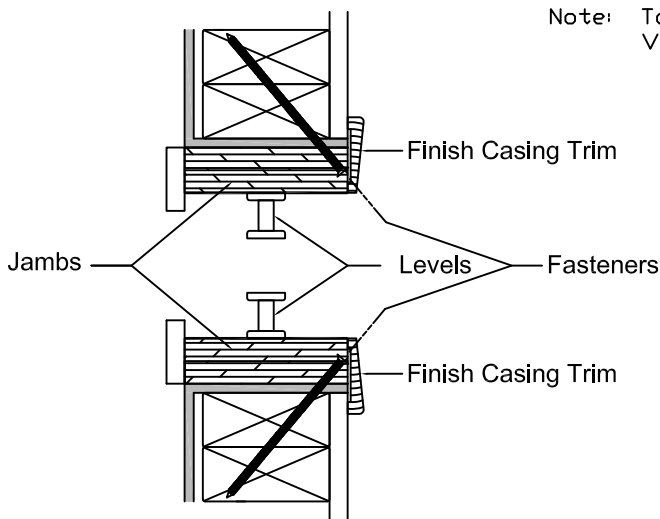


NOTE: Insulated Seat Board Optional

Jambs

Using a Level, make sure the jambs are still plumb. Use shims if necessary. Then, keeping the jambs flush to the interior wall surface, pre-drill the holes and then anchor them to the wall studs using a 3/10 x 5" wood screws. Countersink the #10 x 5" wood screws at a 45° angle to the interior wall.

Note: Top Down View Shown



Recommended Fastener Location

