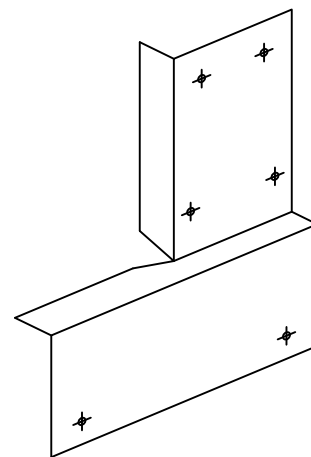


**Cut on heavy dark lines,  
fold on dotted lines.**



**Cut on heavy dark lines,  
fold on dotted lines.**

