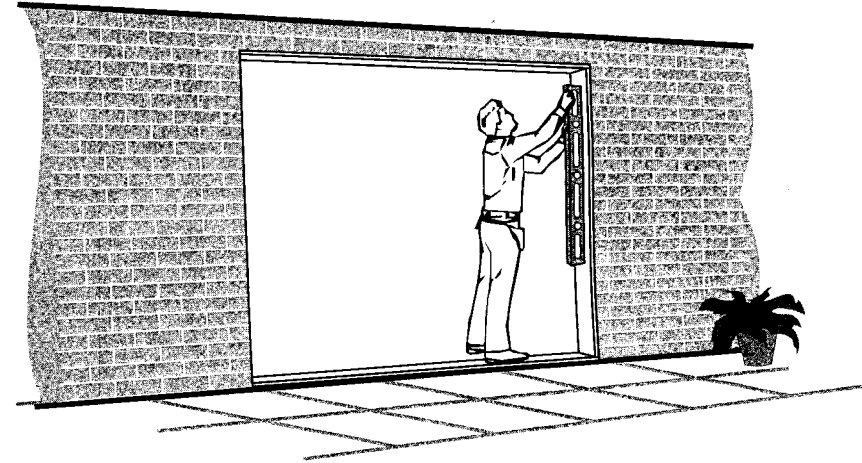


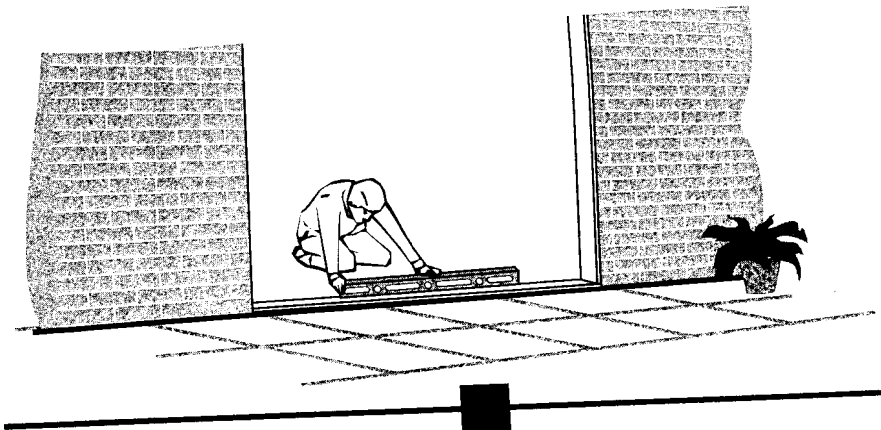
INSTALLATION INSTRUCTIONS

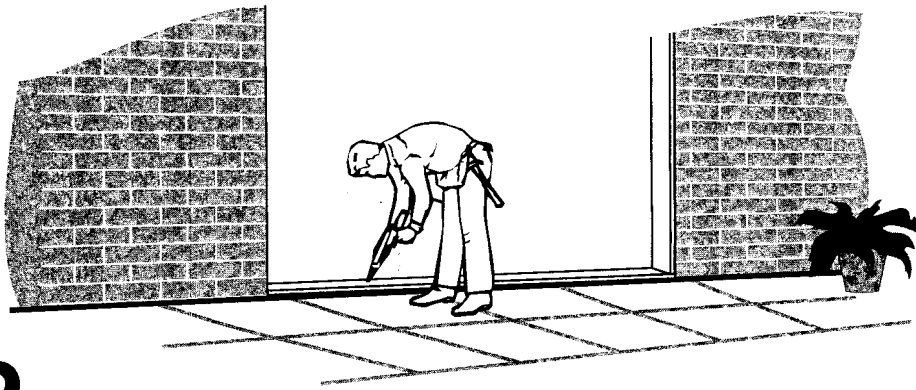
Please read instructions carefully and understand completely before starting installation **Note:** Before removing the existing door, make sure the new door unit will fit in the opening. Failure to follow installation and finishing instructions voids all existing and implied warranties.



1.

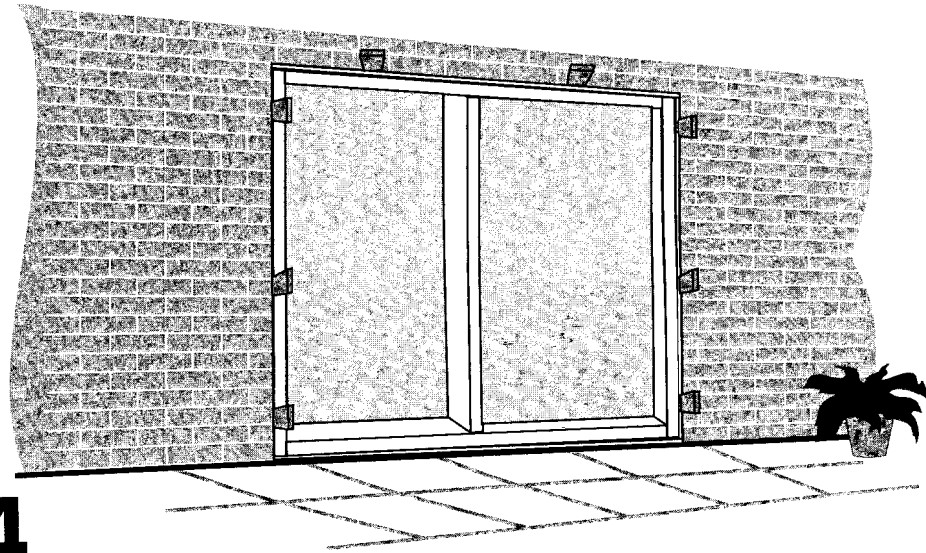
The rough opening is critical to the proper installation of the patio door. The operation of this patio door unit can be affected if the opening is too small or too large. A level sill is critical to the performance of this door. Use floor leveling compound or wooden shims to ensure flat and level surface prior to setting the door.





2.

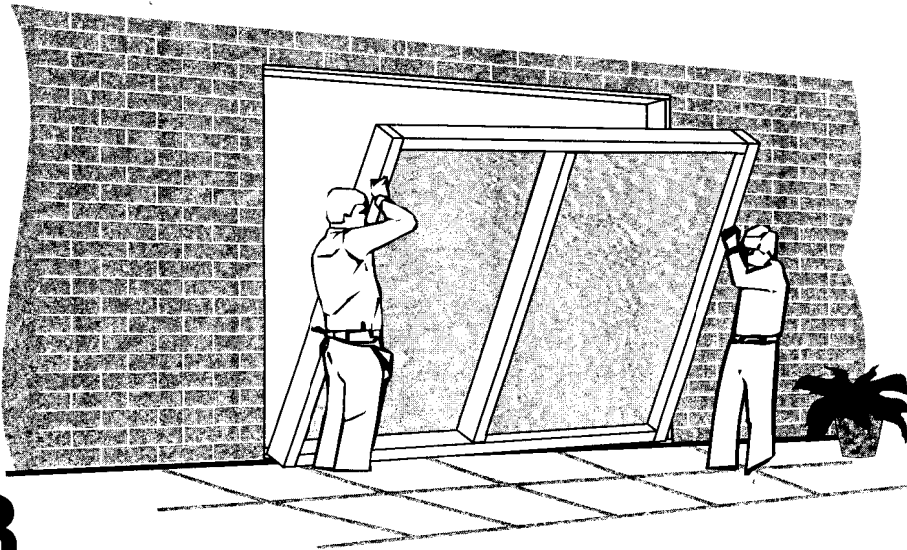
Using a premium caulking compound, install bead of caulking along entire width of sill.



4.

It is very important the door is shimmed properly. See detail for area to be shimmed. Shim the side jambs in three locations and at top as needed to level the head jamb.

Caution: Do not over-shim as this will cause the unit to bind.

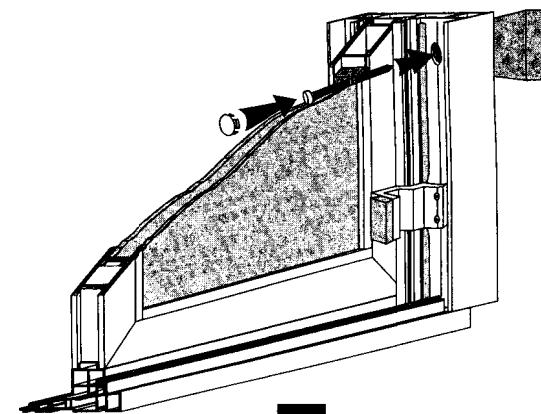


3.

Place door unit in opening, sill first (make sure the caulk has a good seal between floor and door sill).

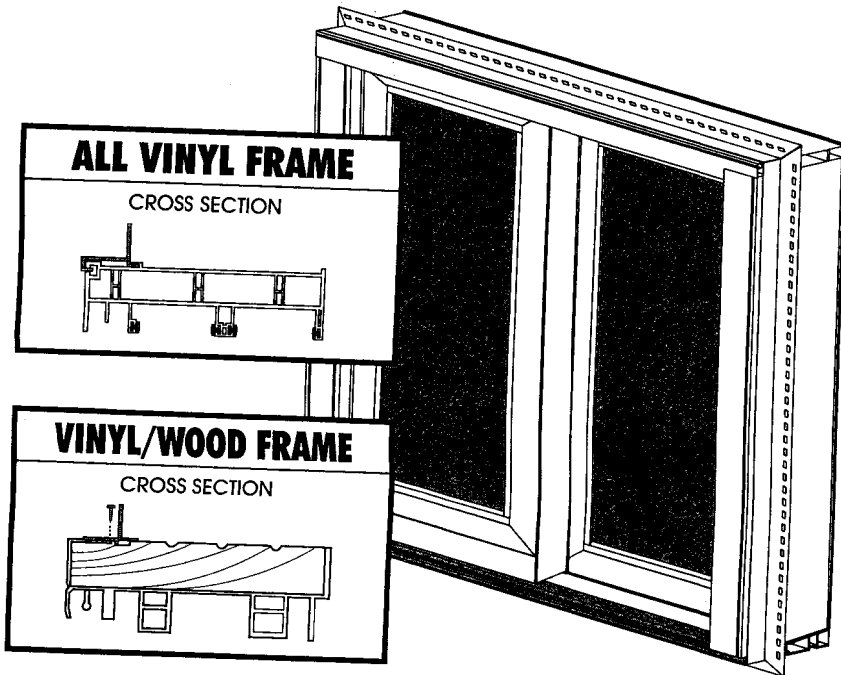
5.

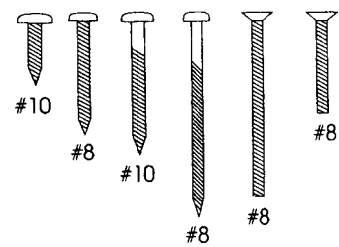
After shims are set and jamb is plumb and level, pre-drill holes at locator grooves using 3/8" drill bit 1/4" deep allowing for screw plugs and screw through side jambs, penetrating all shims. Repeat this process on the opposite jamb. Insulate gaps, then caulk and finish exterior to ensure no water penetration between rough opening and patio door frame. Trim shims.



OPTIONAL NAILING FIN APPLICATION

Some applications require a Nailing Fin. To install door using Nailing Fin simply snap fin into grooves found on header and jambs. (Refer to cross section). Position and plum door, then nail or screw through holes found on fin.



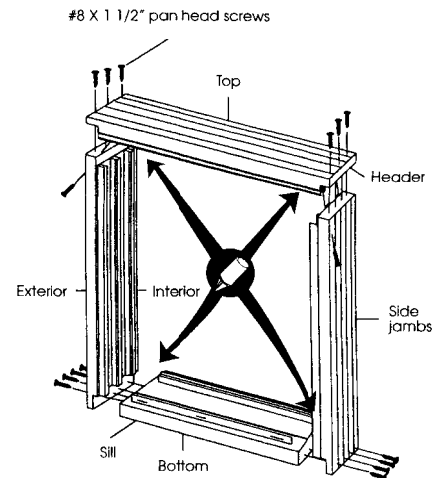


DIFFERENT SCREWS FOR PATIO DOORS

NOTE: In order to avoid problems, be sure to use proper screws for different assembly operations. (As illustrated in the context of the Instruction Manual.)

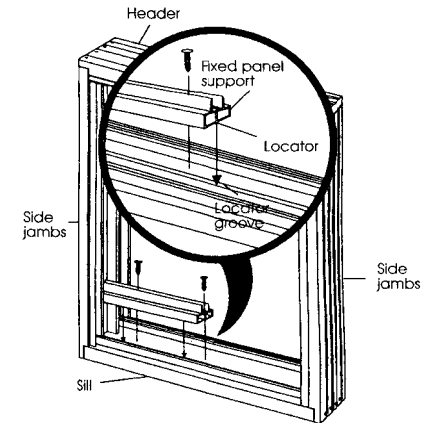
- #10 X 5/8" Tandem Panel Roller Screws
- #8 X 1 1/4" Fixed Panel Support, Operating Panel Keeper, Anti-lift Block, Bumper Screws, & Screen Keeper
- #10 X 1 3/4" Stile and Rail Screw
- #8 X 2 1/2" Wood Frame Screw
- #8 - 32 X 1 1/4" Lock Screw
- #8 - 32 X 2 1/2" Handle Screw

STEP 1 ASSEMBLY OF PATIO DOOR FRAME



Assemble frame as illustrated

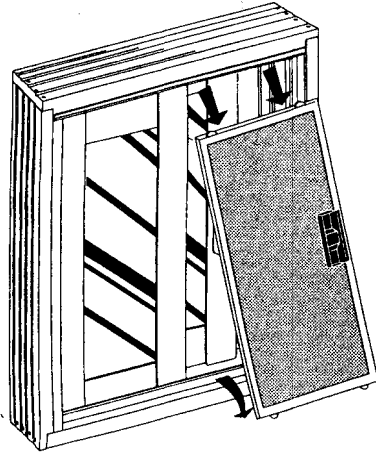
NOTE: Corners must be sealed with silicone or caulking along contact areas.



Place fixed panel support locator into locator groove on vinyl sill. Fixed panel support must be butt-ended into side jamb as firmly as possible. Using #8 x 1 1/4" screw fasten fixed panel support onto sill.

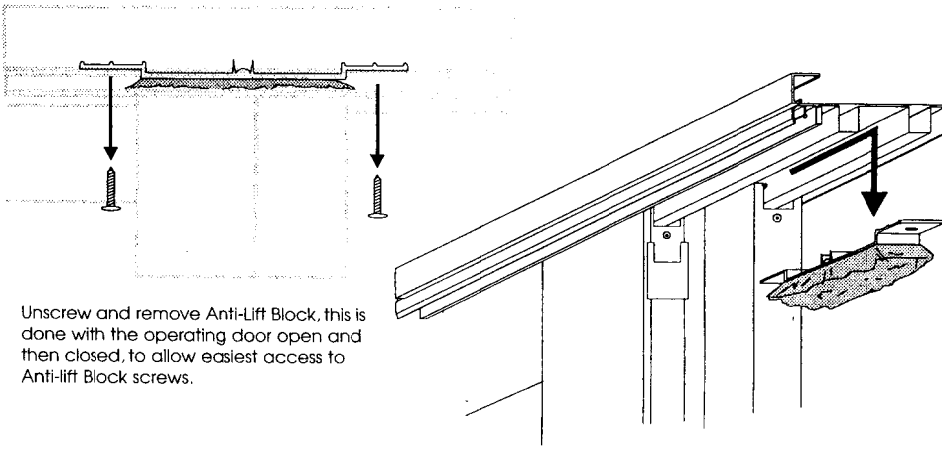
INSTRUCTION TO REVERSE PATIO DOOR

STEP 1 REMOVE SCREEN



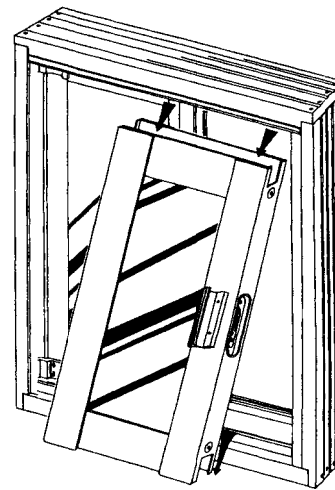
To reverse door begin by removing screen door. To do so just lift screen door and pull bottom outward. Be careful not to tear or mark screen.

STEP 2 REMOVE ANTI-LIFT BLOCK



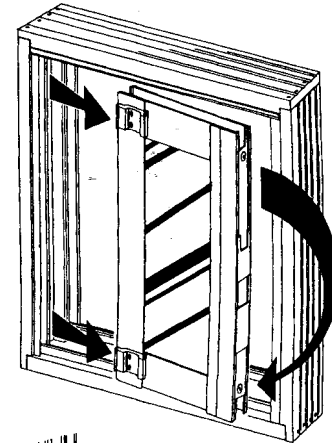
Unscrew and remove Anti-Lift Block, this is done with the operating door open and then closed, to allow easiest access to Anti-lift Block screws.

STEP 3 REMOVAL OF OPERATING PANEL

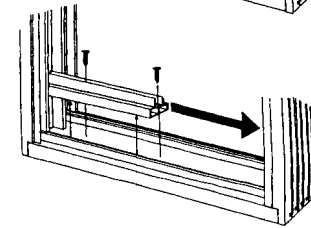


Remove operating panel door by lifting bottom up and out, some adjustment might need to be made to the wheel rollers to allow for more freedom.

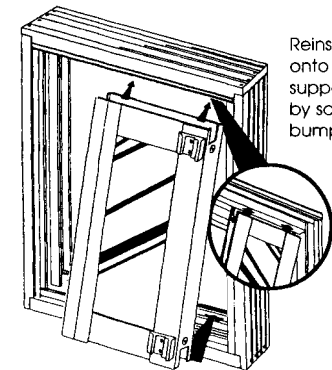
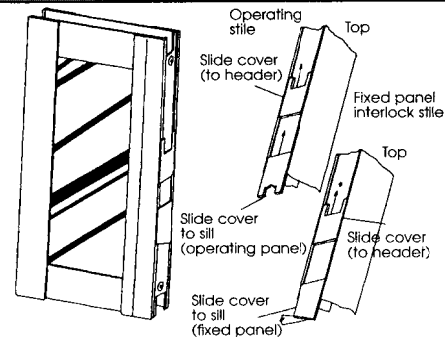
STEP 4 REMOVE FIXED PANEL & SUPPORT



Remove fixed panel by unscrewing bumpers from frame. Next remove fixed panel support from base of frame. Slide fixed panel support to opposite side of frame and reinstall.



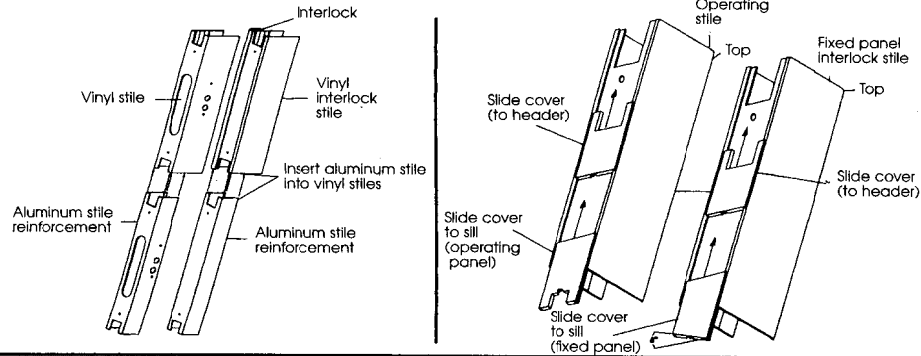
STEP 5 MOVING FIXED PANEL



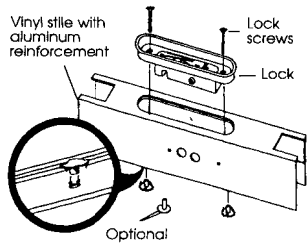
Reinstall fixed panel onto fixed panel support, securing door by screwing in bumpers.

On both the fixed panel and operating panel remove and rotate screw covers. (Refer to illustration for proper positioning.) Note: panels do not need to be disassembled.

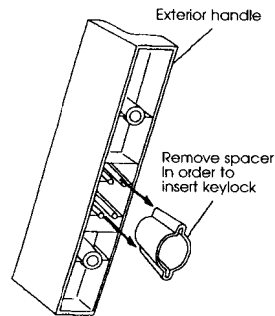
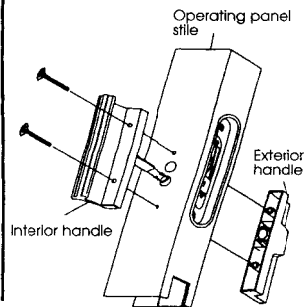
STEP 2 ALUMINUM AND VINYL STILES



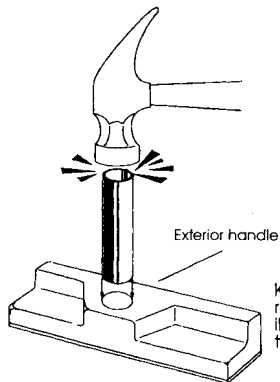
STEP 3 OPERATING PANEL DOOR HARDWARE



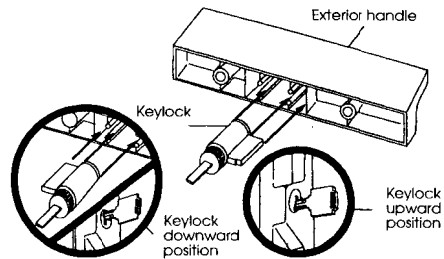
Note: Be sure that lock hook is in upward position towards header as marked.



Note: Spacer is removed only for key lock application

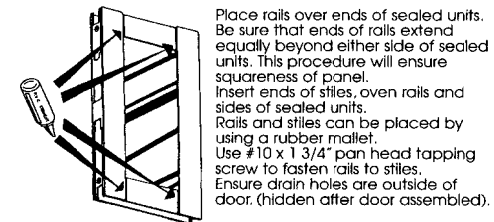
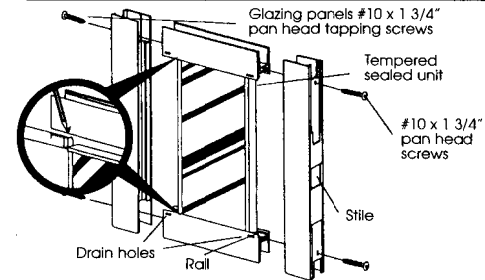


Knock out must be removed as illustrated or drilled to house key lock.



Insert keylock into exterior handle as illustrated. Note: keylock may be placed in upward or downward position as desired.

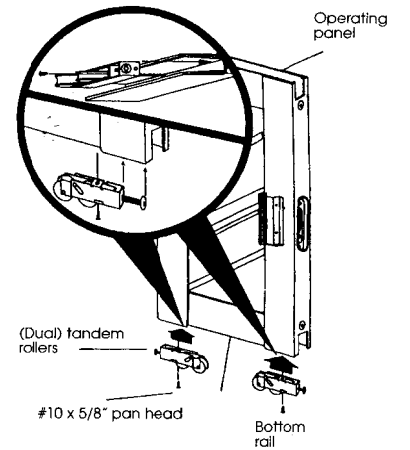
STEP 4 GLAZING OF PATIO DOOR PANEL



Place rails over ends of sealed units. Be sure that ends of rails extend equally beyond either side of sealed units. This procedure will ensure squareness of panel. Insert ends of stiles, over rails and sides of sealed units. Rails and stiles can be placed by using a rubber mallet. Use #10 x 1 3/4" pan head tapping screw to fasten rails to stiles. Ensure drain holes are outside of door. (hidden after door assembled).

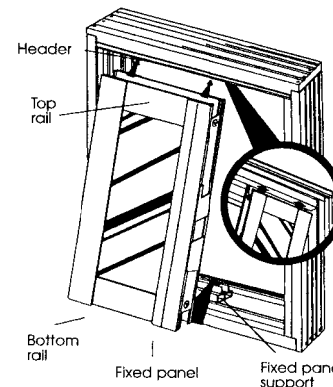
Apply a bead of PVC cement glue along joints of stiles and rails. Be sure to repeat this procedure to both sides of fixed and operating panels.

STEP 5 INSTALLATION OF DUAL TANDEM ROLLERS

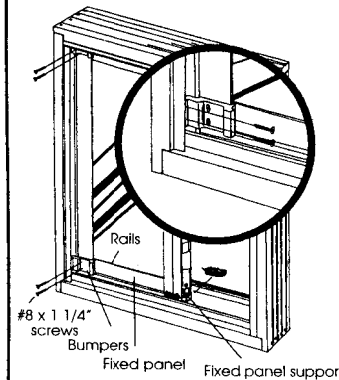


Fasten dual tandem rollers into holes provided under rail of operating panel. Use #10 x 5/8" pan head fastening screw.

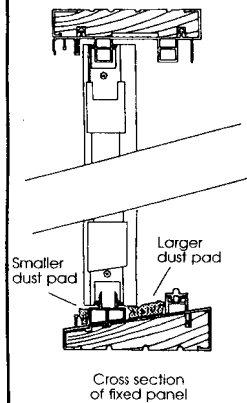
STEP 6 INSTALLATION OF FIXED PANEL



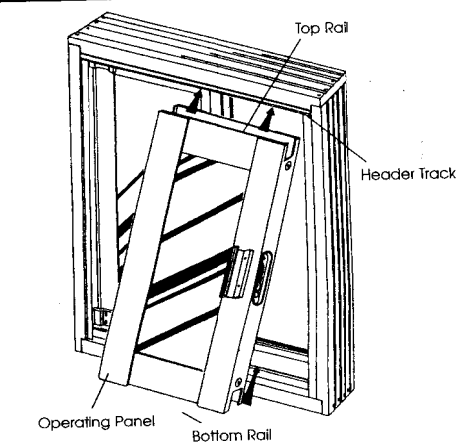
Install fixed panel by inserting top rail of panel over outside track of header and bottom rail of panel over fixed panel support.



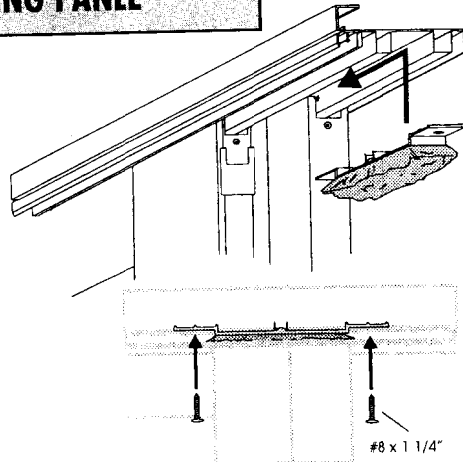
Screw Bumpers to fixed panel first, then to frame ensuring a tight seal is formed between fixed door and frame. (Note inset photo) Next adhere dust pads to base of sill with the smaller pad to the outside of the fixed door and the larger pad on the inside.



STEP 7 INSTALLATION OF OPERATING PANEL

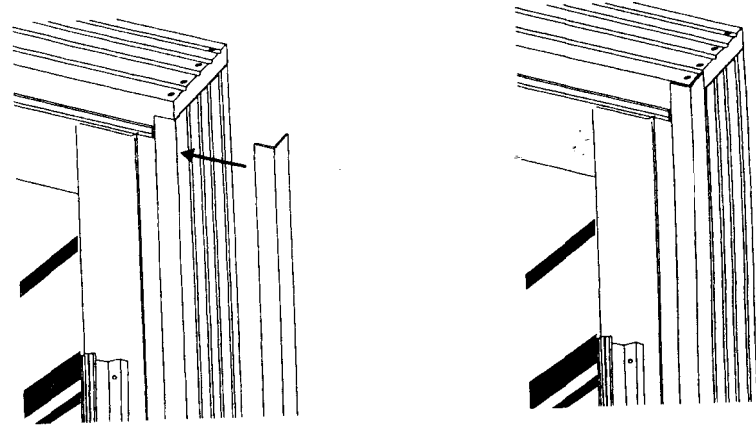


Install operating panel by inserting top rail over inside track of header.



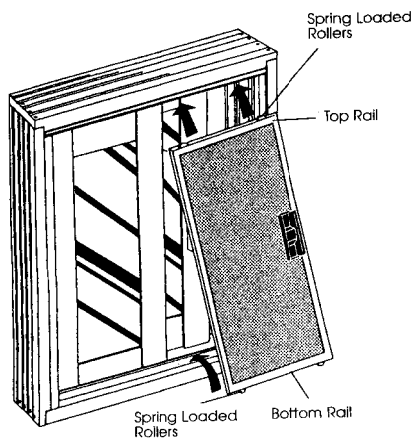
Slide header dust pad into track between doors and screw securely. Note cross sections for optimum position.

STEP 9 INTERIOR SIDE JAMB CLADDING

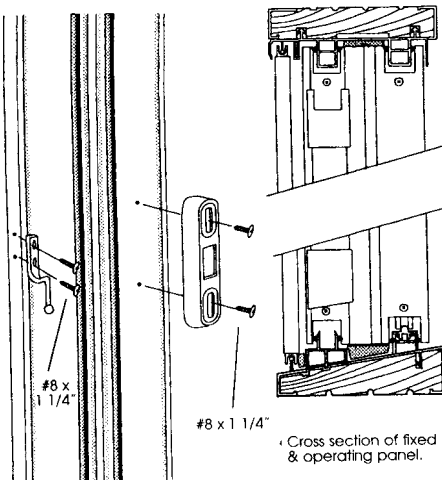


Install interior side claddings by snapping and lining flush with top of frame.

STEP 8 INSTALLATION OF SCREEN

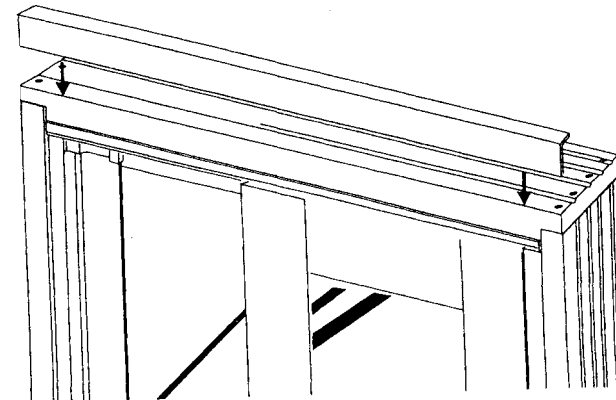


Install screen by inserting spring loaded rollers of top rail of screen into header screen track. Insert spring loaded rollers of bottom rail onto aluminum screen track.



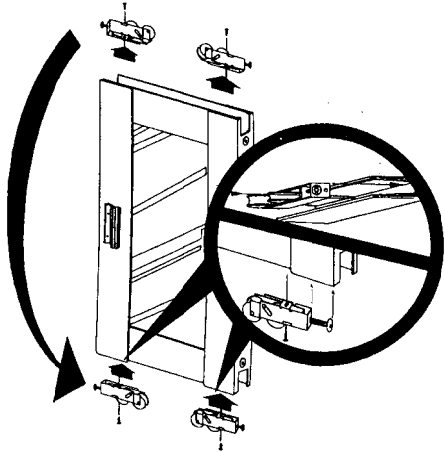
Screw in screen and operating door keepers in screw guides on frame.

STEP 10 INTERIOR HEADER CLADDING



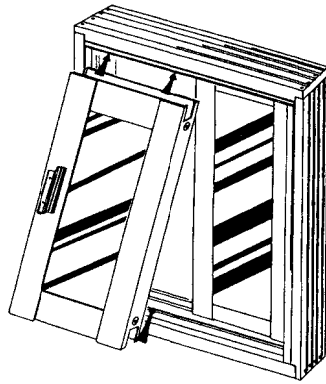
Apply interior header cladding to top of frame overlapping side cladding.

STEP 6 REMOVE AND REINSTALL ROLLERS



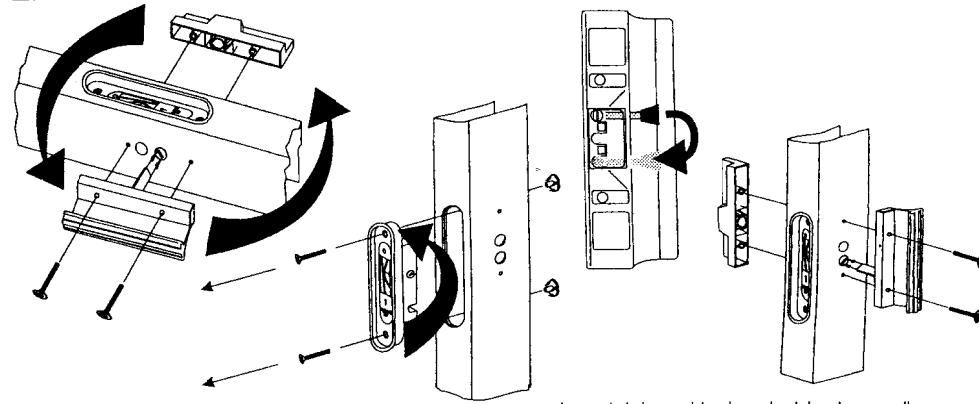
Remove and reinstall rollers to new bottom of operating panel.

STEP 7 INSTALL OPERATING PANEL



Reinsert operating panel into operating panel track, both top and bottom.

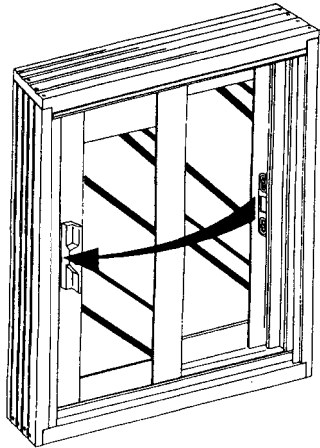
STEP 10 REMOVE/ROTATE LOCK



Remove handles from operating panel, and unscrew lock, rotate and re-screw.

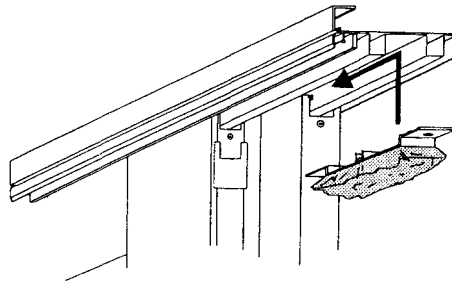
Lever latch must be inverted, to do so pull latch from housing and slide to opposite housing, ensure latch is firmly in housing. (refer to illustration.) Reinstall handle onto operating panel.

STEP 8 MOVING KEEPER



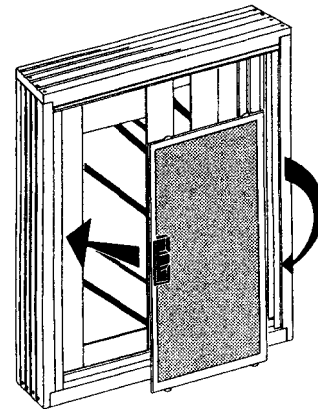
Reinstall keeper onto opposite frame.

STEP 9 RE-INSTALLATION OF ANTI-LIFT BLOCKS

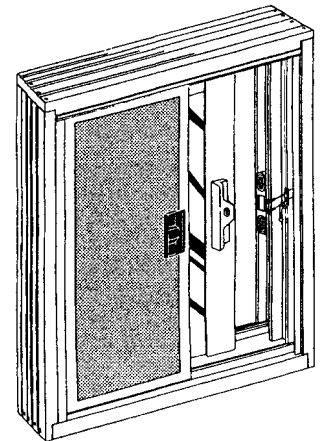


Reinsert anti-lift block into position and secure with screws.

STEP 11 SCREEN & KEEPER REINSTALLATION



Rotate and reinsert screen door. Be careful not to tear screen.



Reinstall screen and operating door keepers onto new position.