

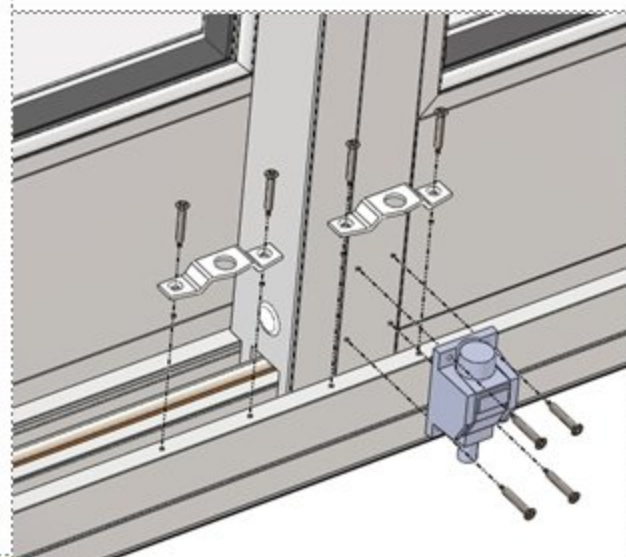
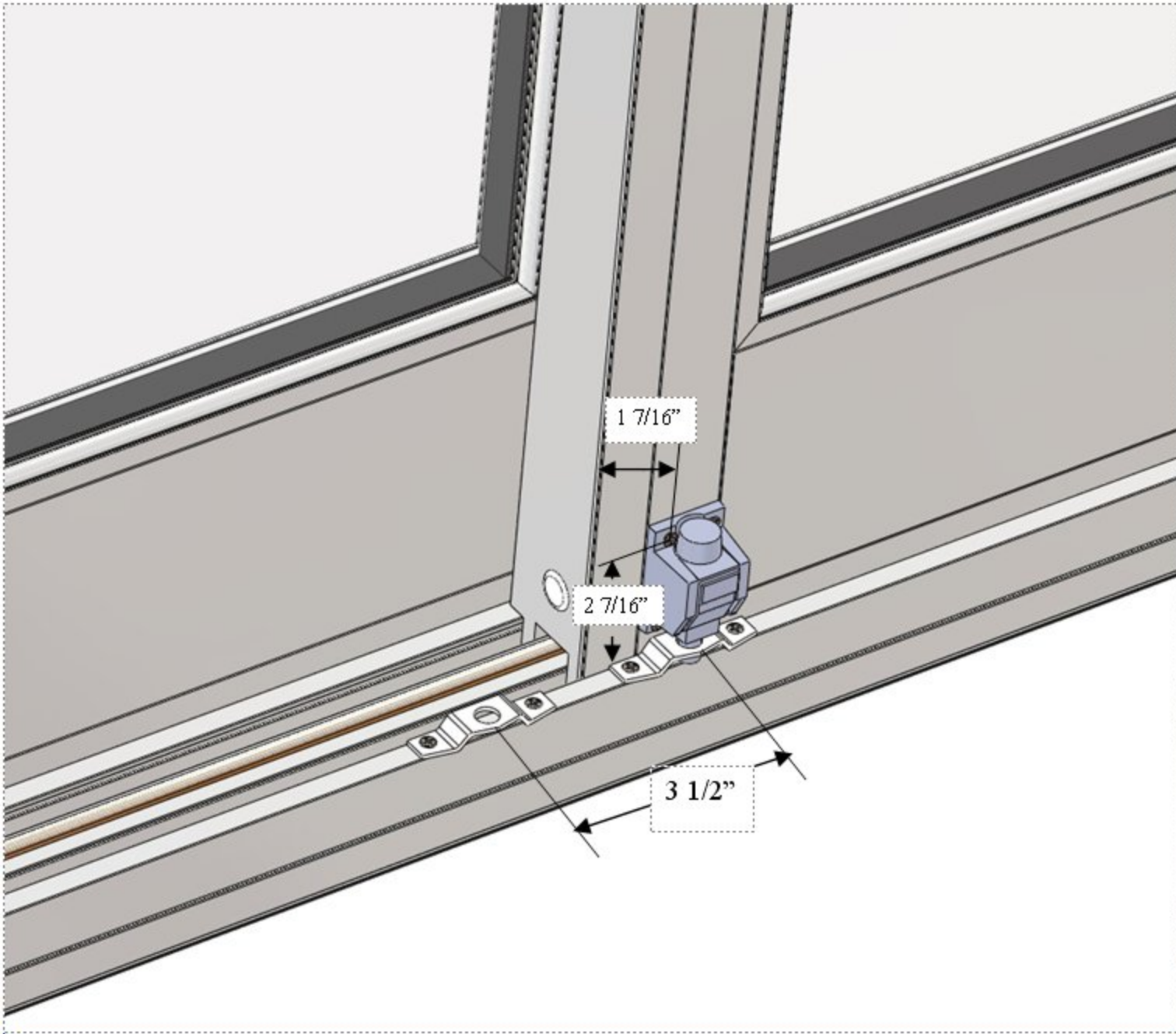
**6400, 8400, 9400  
Series Patio Door**

Foot Lock

Installation Instructions  
(*Straight Flange*)

**Active Panel Must Be  
In Closed Position**

( November 2011 )



**6400, 8400, 9400  
Series Patio Door**

**Foot Lock  
Installation Instructions  
(Winged Flange)**

**Active Panel Must Be  
In Closed Position**

( November 2011 )

