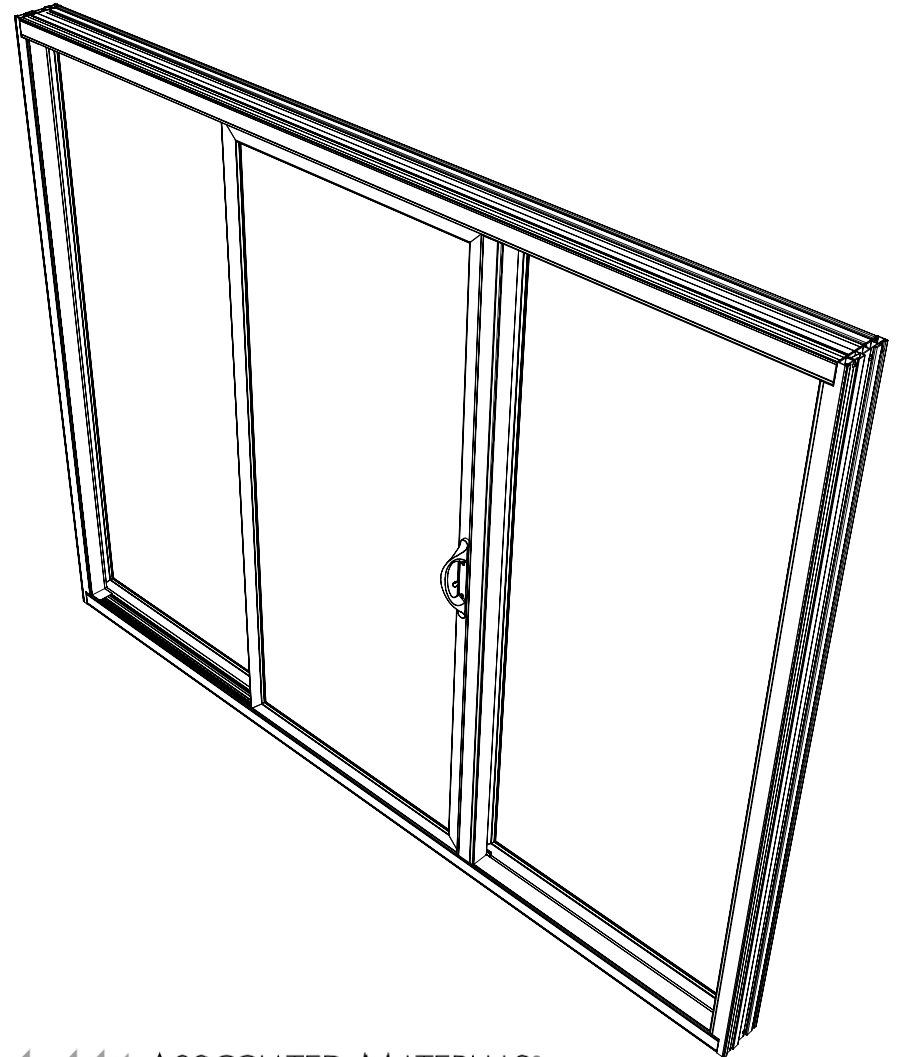


**SLIDING DOOR
ASSEMBLY & INSTALLATION
INSTRUCTIONS
3-PANEL OXO
(XO Operating Shown)**



Installation Instructions

Please read the instructions carefully and understand completely before starting installation.
NOTE: Before removing the existing door, make sure the new door will fit opening. Failure to follow installation and finishing instructions voids all existing and implied warranties.

1 - The rough opening is critical to the proper installation of the patio door. The operation of this patio door unit can be affected if the rough opening is too small or too large. A level sill is critical to the performance of this door. Use floor levelling compound or shims to ensure a flat and level surface prior to setting the door.

2 - Using a premium caulking compound, install a bead of caulking along entire width of door sill.

3 - Place door unit in opening, sill first (make sure that the caulking has good seal between floor and door sill) and tilt unit into opening.

4 - It is very important to shim door properly. See detail for location of shims. Do not shim at header to allow for expansion and contraction of materials. Use fastener with unthreaded shank at header if required to prevent frame bowing. CAUTION: Do not over-shim as this will cause the unit to bind.

5 - Insulate gaps, then caulk and finish exterior to ensure no water penetration between rough opening and patio door frame. Trim shims.

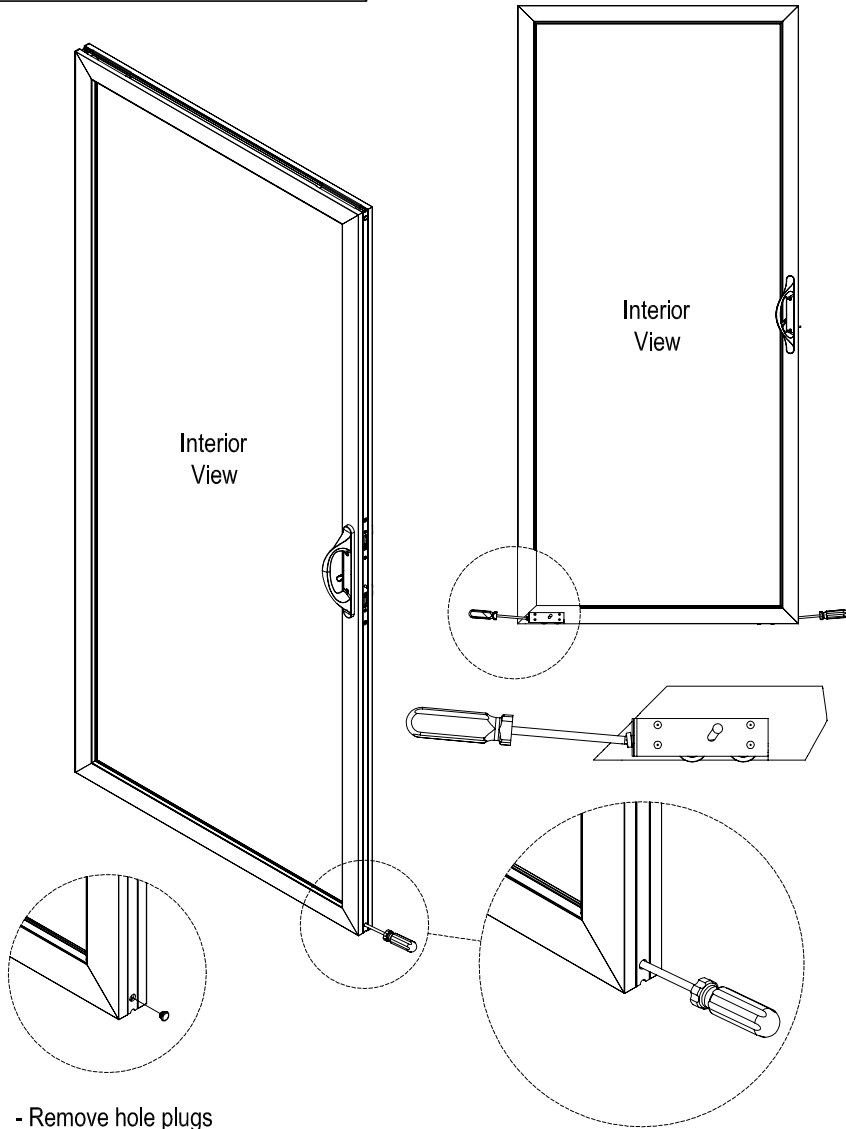
NOTE: Door panels must be installed with glazing beads outwards

Tools required

- 1/16" Metal drill bit, 2" long
- 1/8" Metal drill bit, 4" long
- #1 Square (Robertson) /Cross (Phillips) drill driver bit 4" long
- #2 Cross (Phillips) Screwdriver
- #3 Square (Robertson) or Cross (Phillips) Screwdriver
- Rubber Mallet
- Prybar
- Utility knife

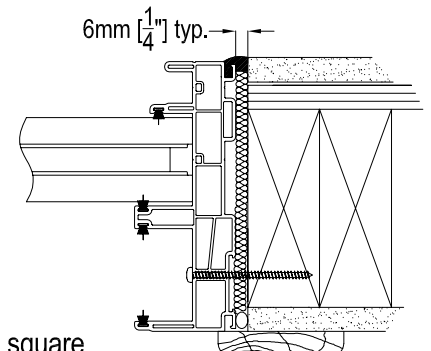
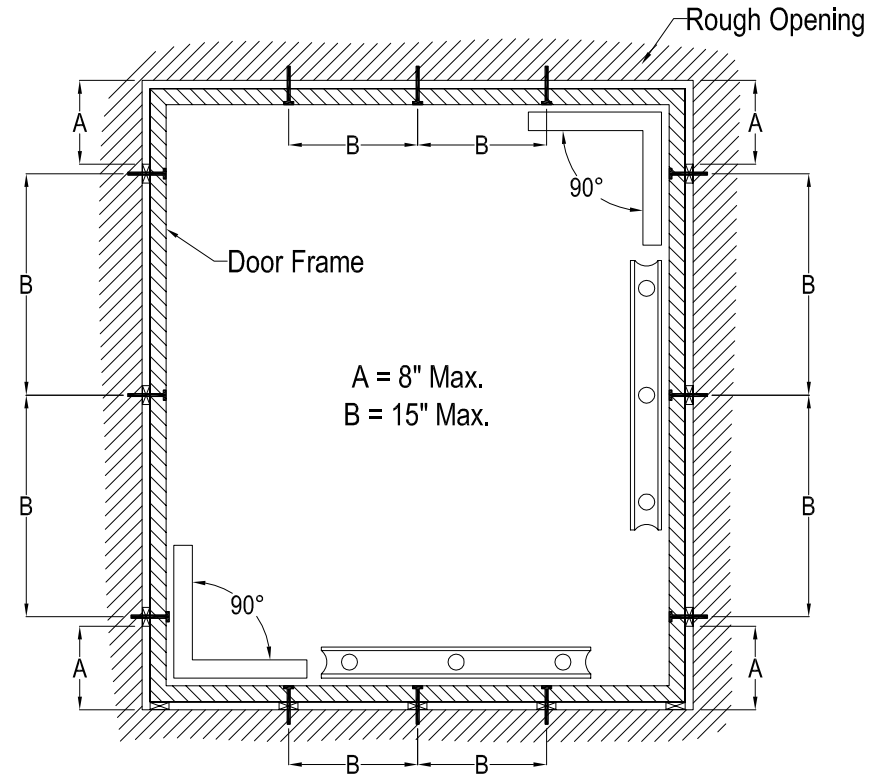


Operating Sash Adjustment



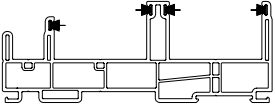

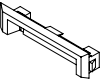
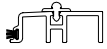
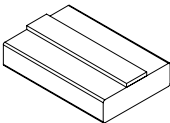
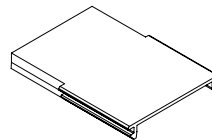
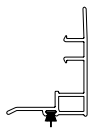
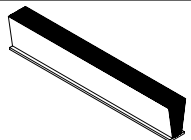
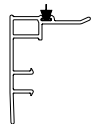
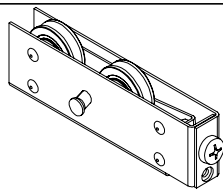

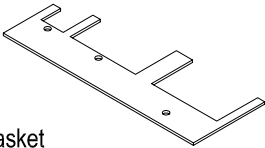

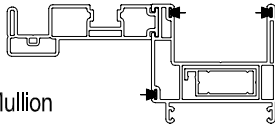
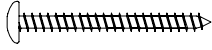
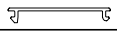
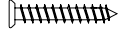


- Remove hole plugs
- Relieve pressure on roller by lifting corner of sash with prybar
- Adjust roller height (cw - lift panel / ccw - lower panel)
- Install hole covers

Shimming and Fastening of Patio Door Frame

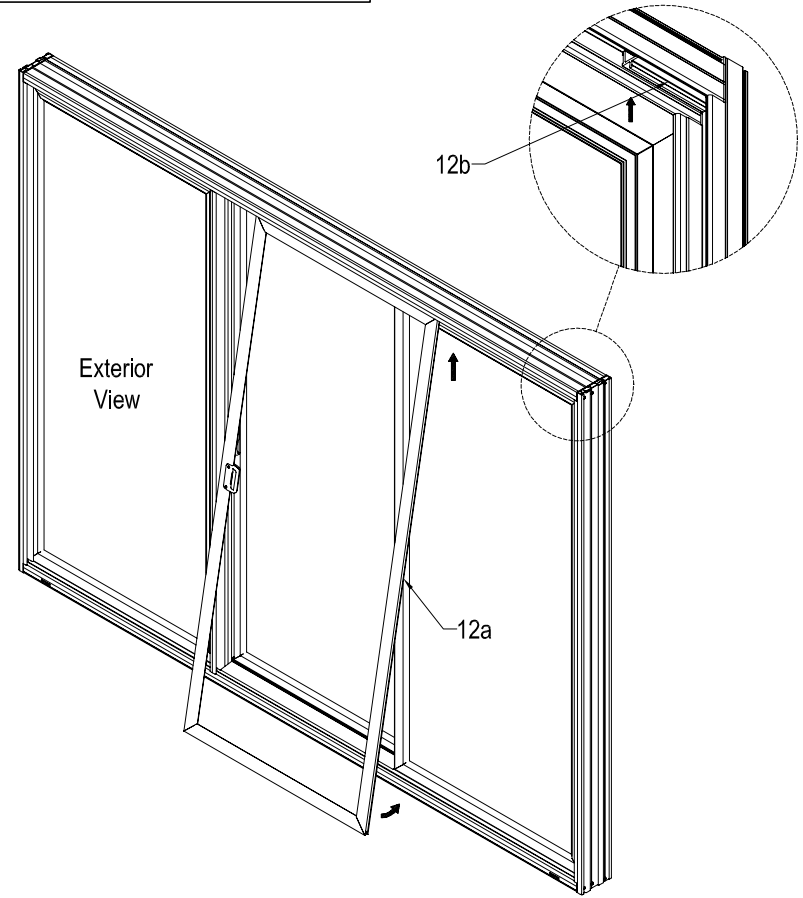


- 1 - Shim frame at indicated locations
- 2 - Check for plumb, straightness, level and square
- 3 - Fasten frame at indicated locations through shims
- 4 - Seal sill screw heads and holes

Jamb Detail

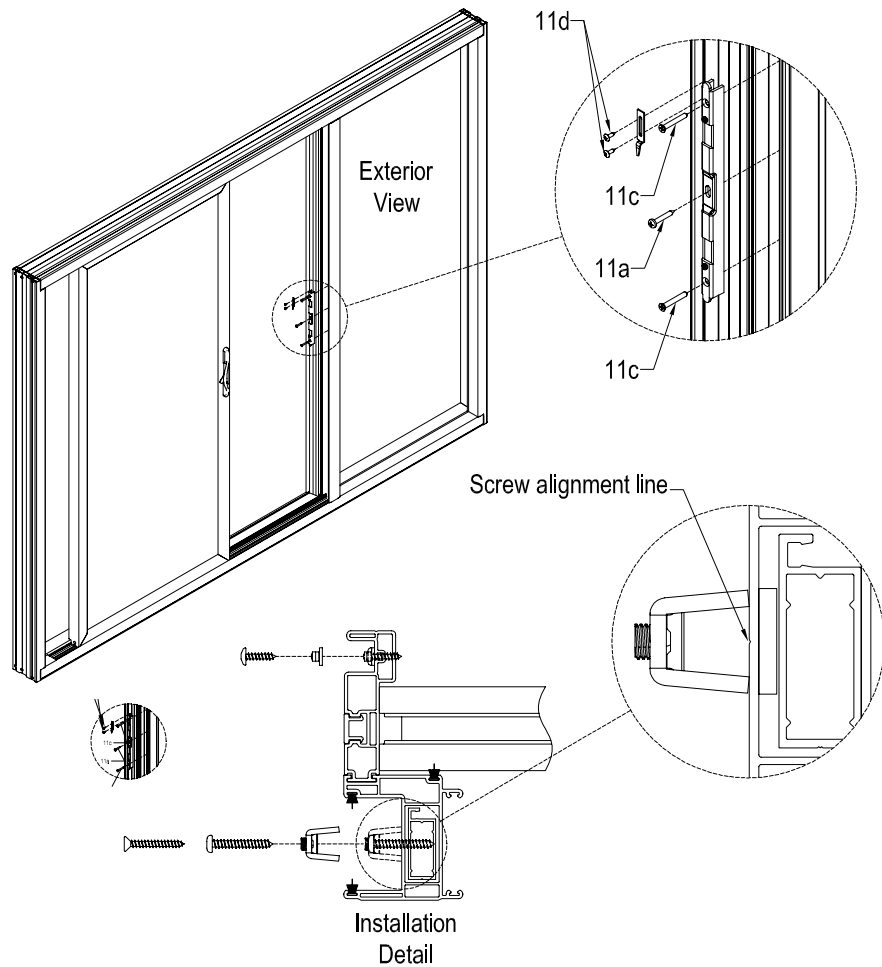
Patio Door Parts / Hardware		* + Handle & Lock Kit *	
PVC Frame 	Hole Cover 		
	Weep Hole Cover 		
Operating Track Assembly 	Anti-lift Block 		
	Sash Stop 		
PVC Snap-On Interlock Fixed 	Pile Weatherstrip 		
	PVC Snap-On Interlock Operating (with notches) 	Sash Tandem Roller 	
Aluminium Threshold / Header Pocket Cover 	Frame Corner Gasket 		
PVC Screen Track / Stop 	3 Panel OXO Mullion 	#10 x 2" TH Screw 	
PVC Interior Pocket Cover 		#7-10 x 1 1/4" FH Screw 	
PVC Filler Moulding 	#8 x 1 1/2" PH Screw (self-drilling) 		

STEP 12 - Screen Door Installation



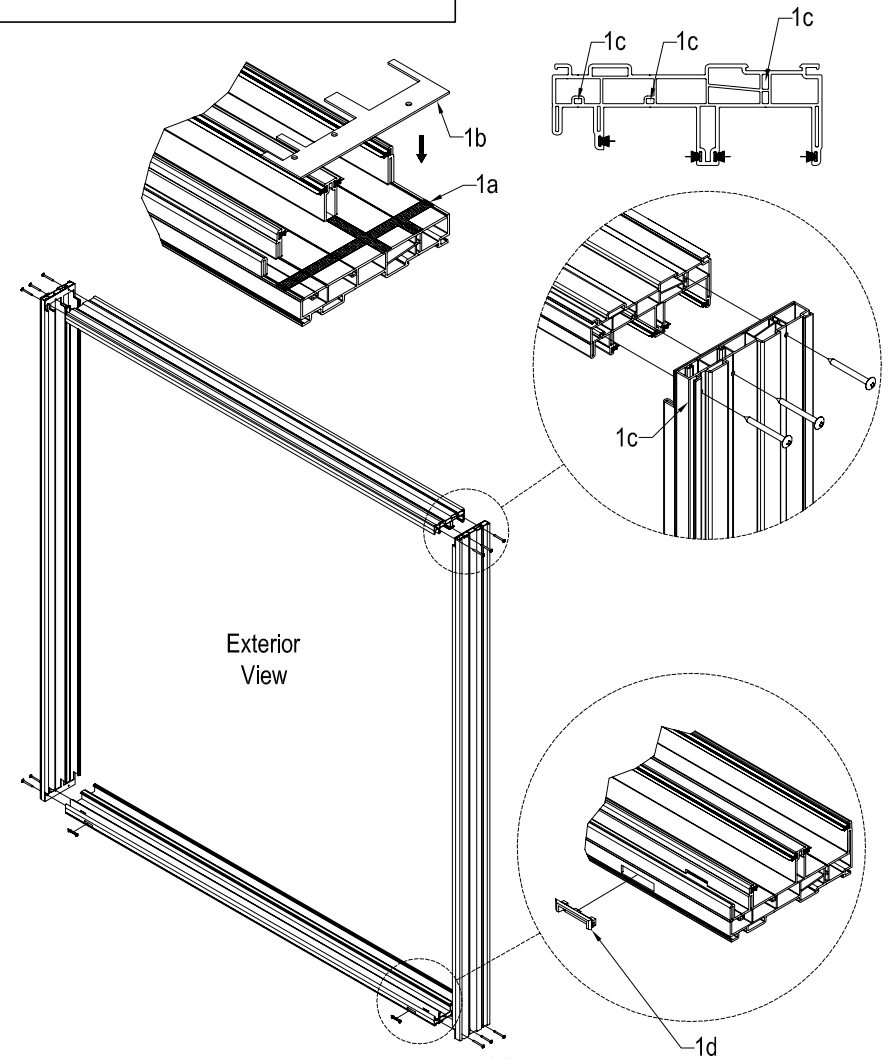
12a - Install screen doors by inserting top rail of screen into outside pocket of header and tilt bottom rail of screen over screen track
 12b - Install screen stop in screen door header pocket

STEP 11 - Keeper Installation



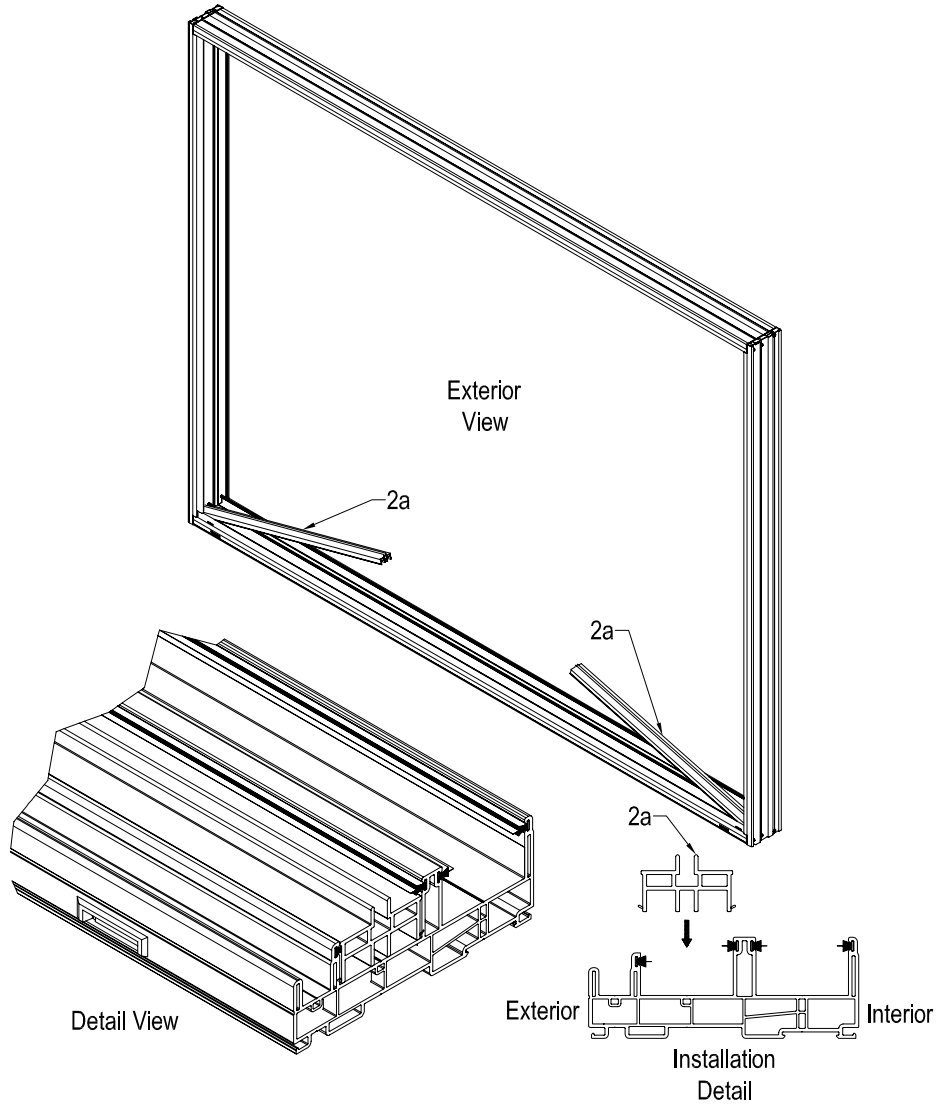
- 11a - Install sash keeper into mullion pocket. Fasten keeper through center slot to frame using 1 1/4" pan head screw supplied with handle/lock kit. Use top location dimple to position center of keeper (make sure keeper is in line centered with screw alignment line)
- 11b - Verify lock operation and adjust position of keeper and/or sash rollers if needed
- 11c - Fasten keeper with 1 1/4" flat head screws
- 11d - Install screen door keeper into frame pocket. Fasten keeper with screen keeper screws

STEP 1 - Patio Door Frame Assembly



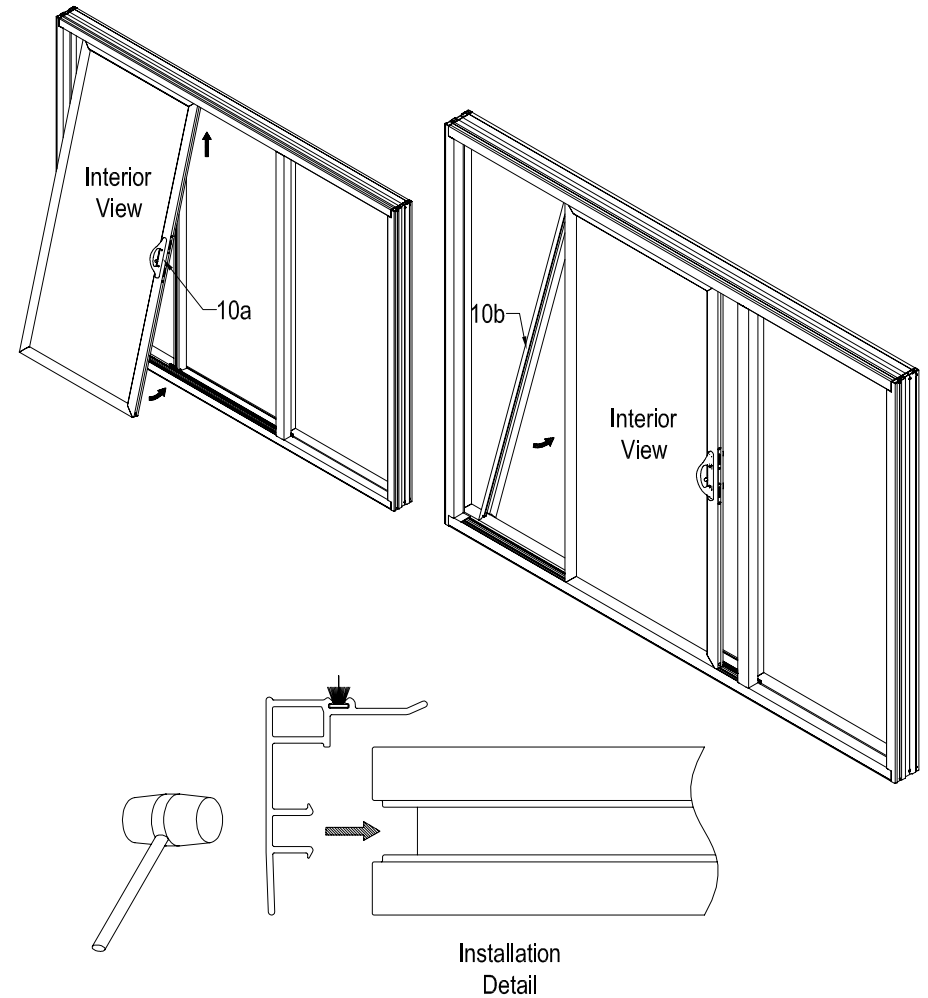
- 1a - Apply sealant to shaded area on all jambs ends (4)
- 1b - Stick foam gaskets to jambs ends (4)
- 1c - Fasten frame at 4 corners using #10 x 2" TH Screws (12)
* Screws must fasten into indicated holes *
- 1d - Insert weep hole covers into sill punch-out (both ends)
* Install door frame into rough opening as directed *

STEP 2 - Patio Door Sill Parts Assembly



2a - Insert fixed panel support block into sill pocket and butt-ended into jamb as firmly as possible (both sides).

STEP 10 - Operating Panel Installation



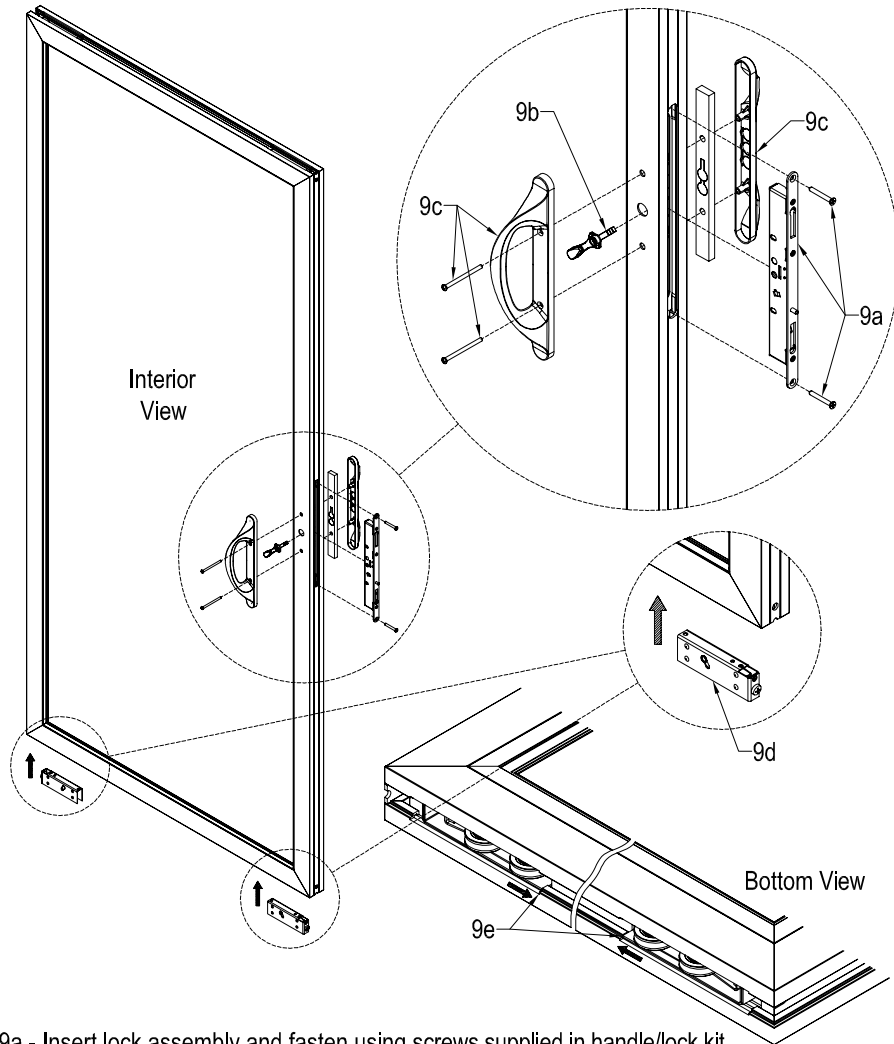
10a - Install operating panel by inserting top rail of panel into inside pocket of header and tilt bottom rail of panel over operating track assembly

10b - Install snap-on interlock molding on meeting stile of operating panel

* Molding must be installed flush with top and bottom of panel *

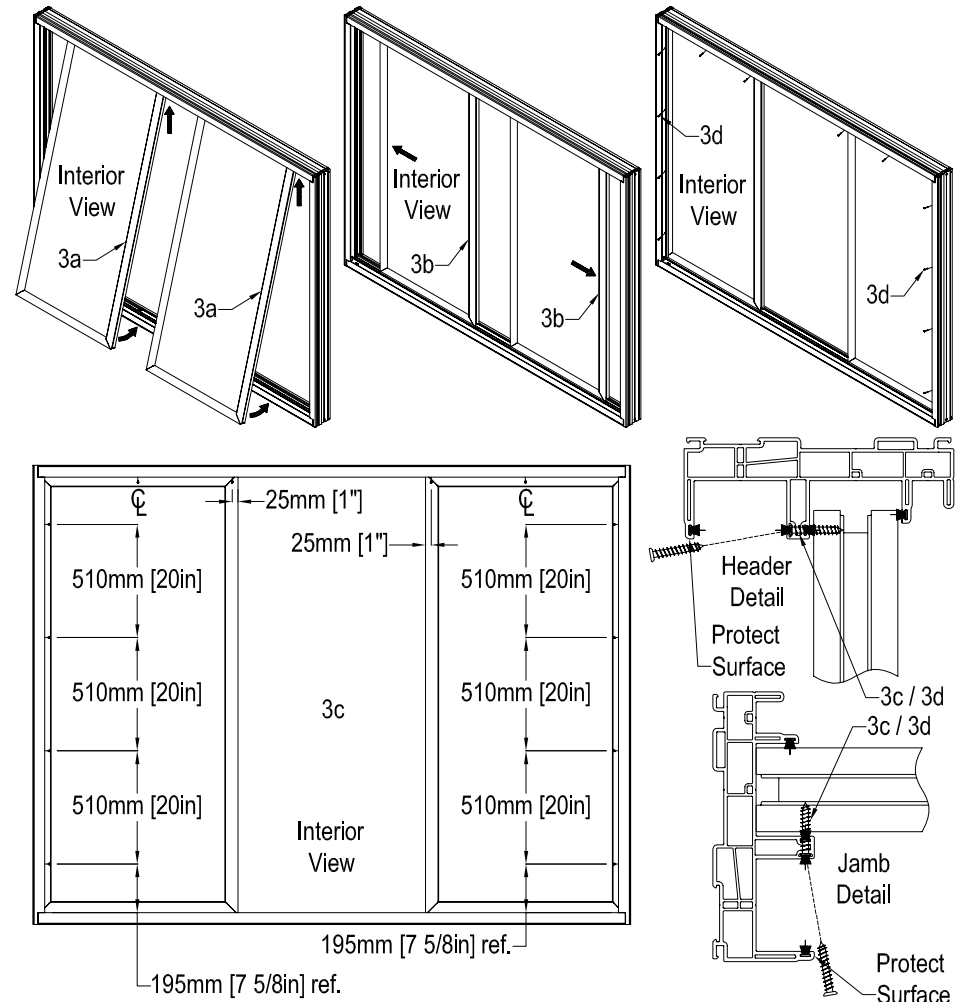
STEP 9 - Operating Sash Hardware Installation

*Handle & lock may vary from illustration *



- 9a - Insert lock assembly and fasten using screws supplied in handle/lock kit
- 9b - Insert thumb lever into lock assembly
- 9c - Insert interior & exterior handles and fasten using screws supplied in handle/lock kit
- 9d - Insert roller assemblies in bottom punch out with adjustment screws facing outwards
- 9e - Casing end must be butt ended inwards in the roller slots

STEP 3 - Fixed Panels Installation



3a - Install fixed panel by inserting top rail of panel into outside pocket of header and tilt bottom rail of panel over fixed panel support block

3b - Slide fixed panel into sill jamb as firmly as possible (fixed panel side)

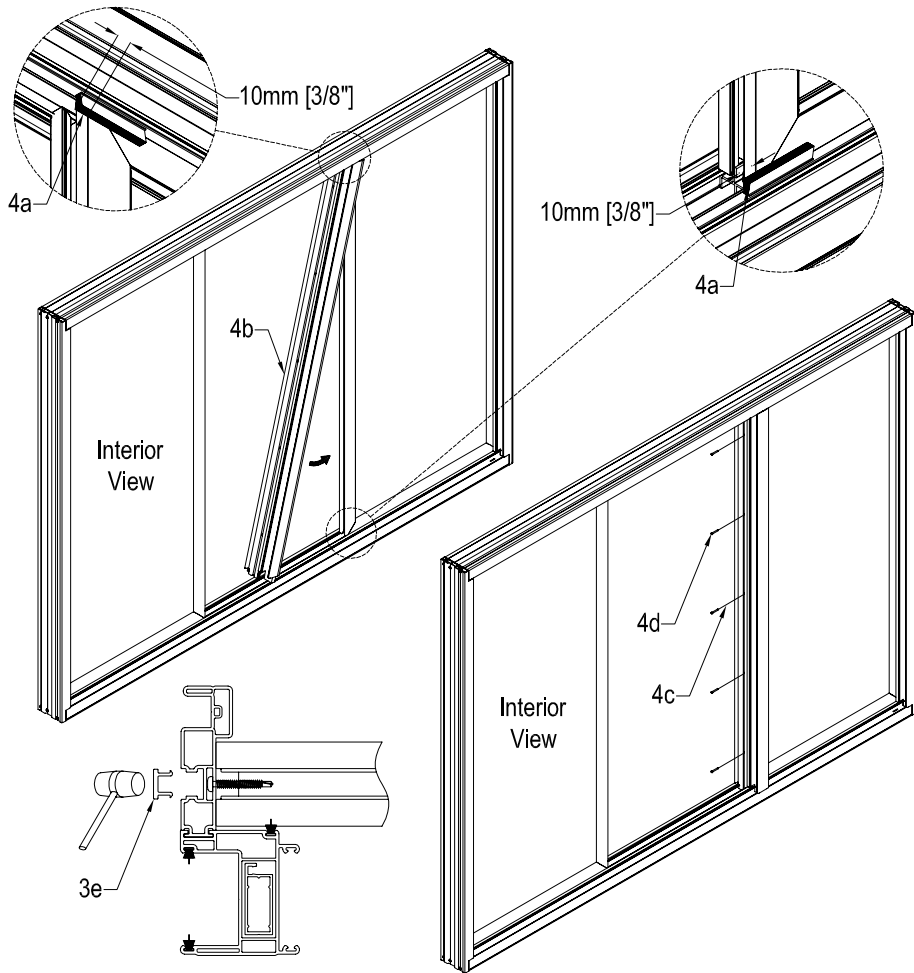
* Verify sightline between frame header and top panel rail *

3c - Pre-drill for screws using 1/8" drill bit through weatherstrip t-slot

3d - Fasten fixed panel to frame using #7-10 x 1 1/4" FH screws (12)

Note: Protect indicated surface as drill chuck may scuff surface while drilling

STEP 4 - OXO Mullion Installation



4a - Peel off adhesive paper from weatherstrips backing and stick on frame 3/8" offset from edge of fixed panel

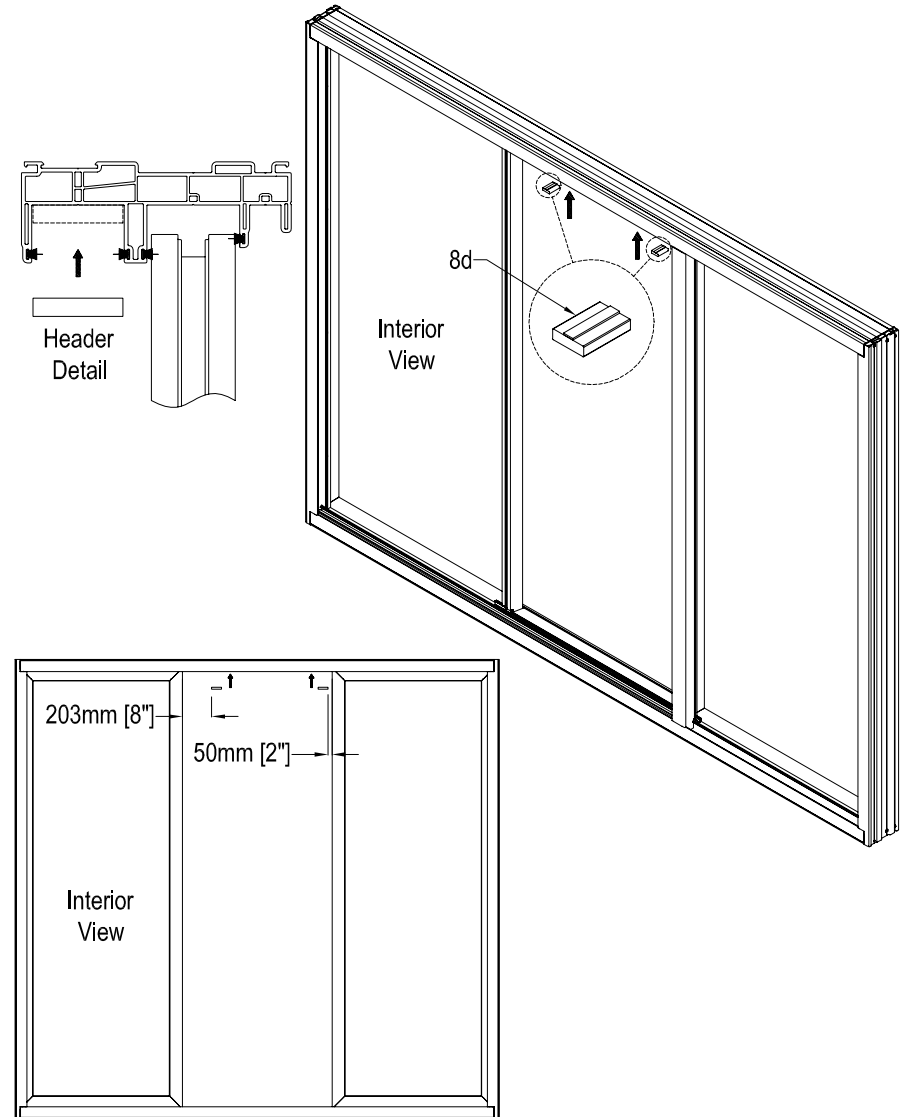
4b - Slide mullion in top and bottom frame pockets and set on fixed panel

4c - Pre-drill for screws using 1/16" drill bit. Use holes as template for location

4d - Fasten mullion to panel using #8 x 1 1/2" PH Screw (self-drilling) (5)

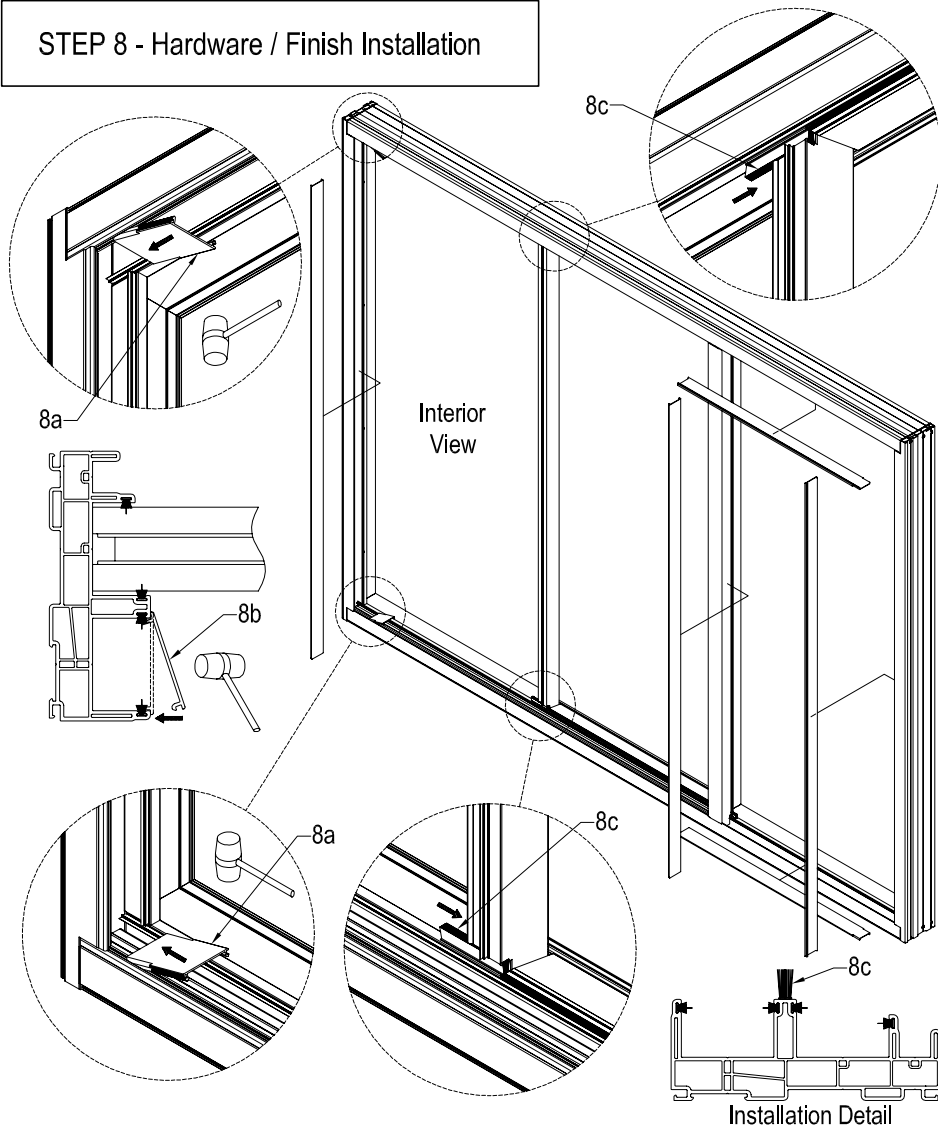
4e - Snap in filler molding (see detail)

STEP 8 - Hardware / Finish Installation



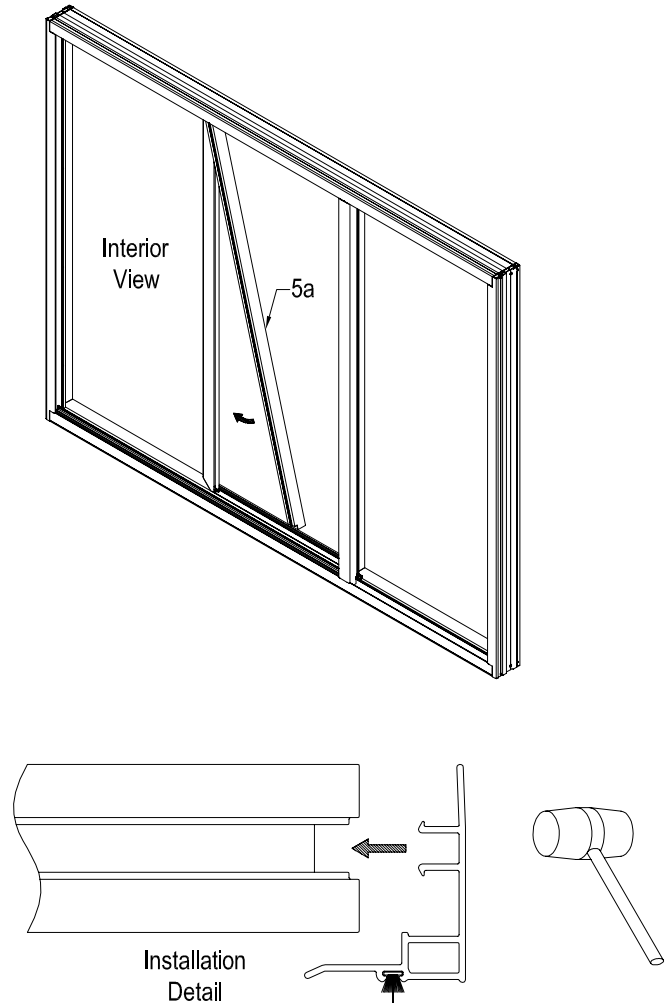
8d - Peel off adhesive paper from weatherstrips backing of anti-lift blocks and stick into frame interior pocket (see detail)

STEP 8 - Hardware / Finish Installation



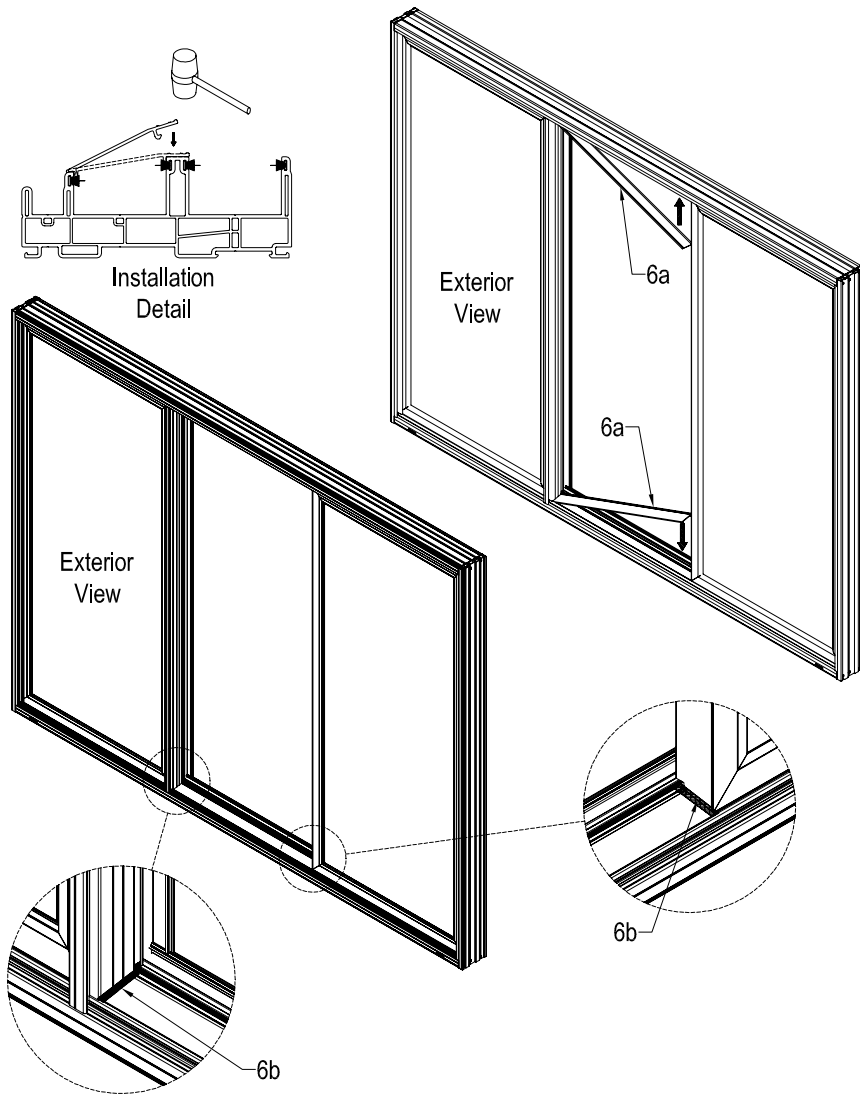
- 8a - Install sash stops with notched side facing interior frame pocket over operating track assembly (1 sill / 1 header)
- 8b - Snap in interior pocket covers
- 8c - Peel off adhesive paper from weatherstrips backing and stick on frame flush with threshold and header pocket cover

STEP 5- Fixed Panel Snap-On Interlock Installation



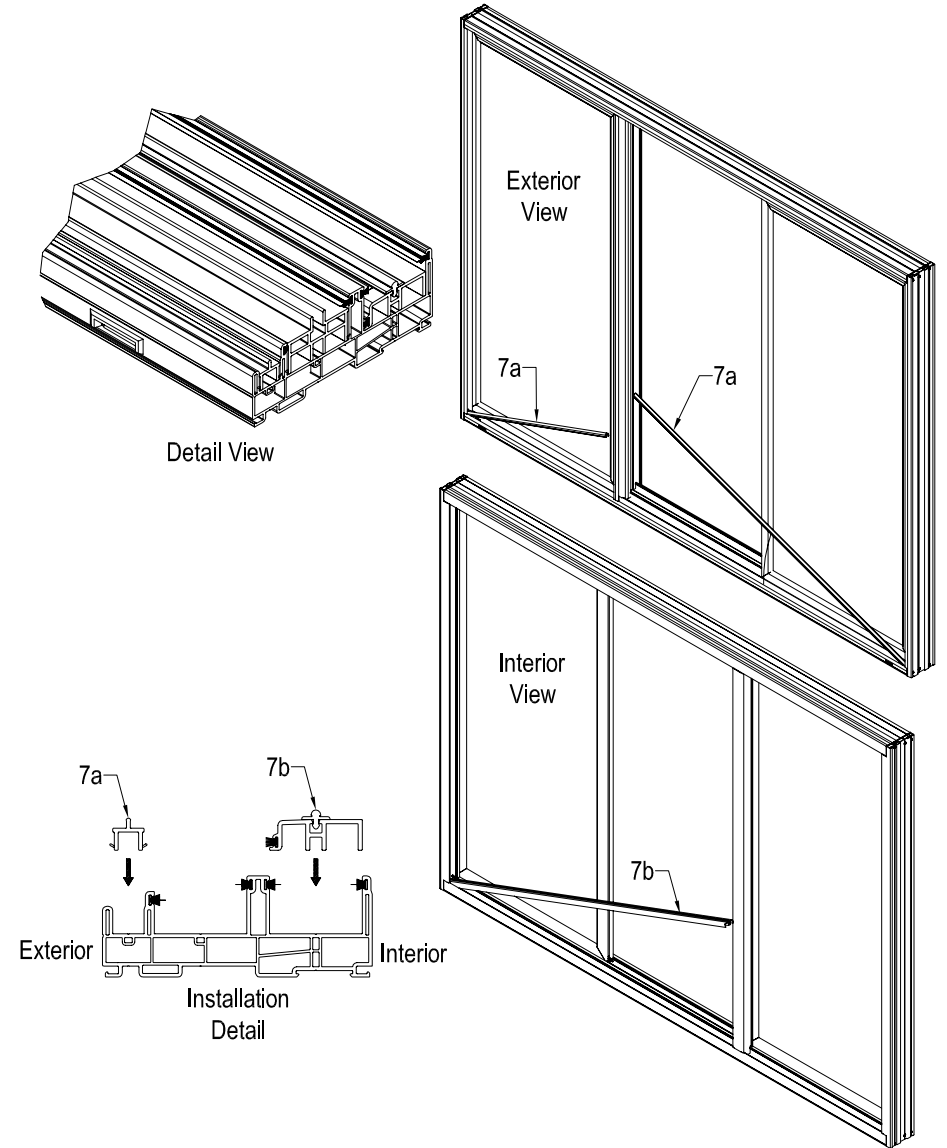
- 5a - Install snap-on interlock molding on meeting stile of fixed panel
- * Molding must be installed flush with top and bottom of panel *

STEP 6 - Threshold and Header Pocket Cover Installation



- 6a - Install aluminium threshold & head pocket cover over exterior sill pocket
- 6b - Apply sealant to threshold at mullion and interlock junction (sill only)

STEP 7 - Patio Door Sill Parts Assembly



- 7a - Insert screen tracks (2) into sill pockets
- 7b - Insert operator track assembly into sill pocket